

Mining

*Tools for
true heroes!*



MADE IN GERMANY

BETEK

Progress!

In use worldwide: BETEK tungsten carbide tools



1 - Road milling



2 - Surface mining



3 - Stabilising



4 - Recycling



5 - Foundation drilling



6 - Crushing and mixing



7 - Horizontal directional drilling HDD



8 - Mining



9 - Trenching



10 - Tunnelling



11 - Hydraulic milling cutters



12 - Forest mulching



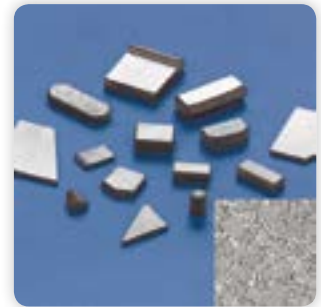
13 - Agriculture



14 - Rail track construction



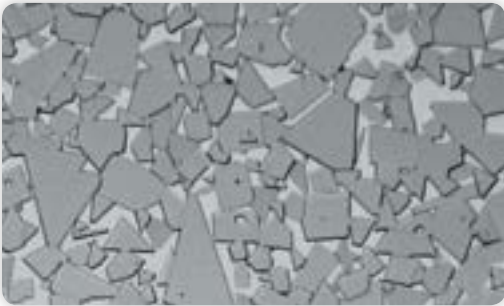
15 - TungStuds



16 - Abrasive wear protection

Use innovative tool systems from BETEK – and you'll make good progress with above-average daily productivity! The contours of BETEK tools and the grade of tungsten carbide used are always tailored to the job at hand. This ensures a long service life and minimal tool changes.

Progress well with wear-resistant grades of tungsten carbide



Cross-section through grade B20G tungsten carbide, as used, for example, for mining

Tungsten carbide and steel – firmly bonded for extreme demands

Steel and carbide are two materials with totally different expansion coefficients when subjected to heat. Nevertheless, it is of steel and tungsten carbide that our tools are made, with tungsten carbide for the wear-resistant tip, and steel for the tool shank. Since tools reach high temperatures during use, extreme tensile stresses are generated. These stresses are absorbed by a special brazing material that joins the tungsten carbide tip to the steel section.

We have developed our own methods and systems for this brazing process, which is carried out on fully automated machines with the process covered in an inert protective gas. Manufacturing parameters are fully monitored and documented to ensure consistent quality. Afterwards, brazing shear strengths are checked to ensure that our “Masters of the construction site” lose no time due to broken tools!



Monitored manufacturing on the fully automated soldering machine



The soldering process to permanently bond tungsten carbide and steel

How our high-tech tools are made

Customer service



- Cost-effective client solutions based on flexible structures
- Tailored, fast response to client requirements

Development & design



- Speedy creation of samples and prototypes
- Competitive prices thanks to close collaboration with all areas of production

Tungsten carbide manufacturing



- Raw materials of high purity used for great strength
- Consistently high, pore-free tungsten carbide quality produced through an exact process resulting from years of experience and know-how

The soldering side of production



Production equipment and processes specially developed to the utmost degree of perfection by experts in combining tungsten carbide and steel

Automation



Able to compete on the world market by virtue of a high degree of automation and flexible manufacturing plants

Quality assurance



Permanent checking of quality in accordance with DIN ISO 9001:2000 and DIN EN ISO 14001 along the entire production chain all the way to the construction site

Training



User training sessions at Betek or on the construction site itself to ensure long-term economic success and client satisfaction

Logistics



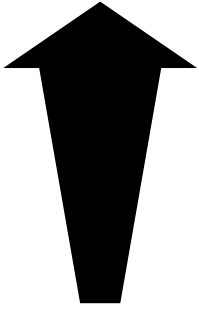
Able to react quickly thanks to:

- The use of cutting edge IT and optimum logistics links
- Standard products kept in store

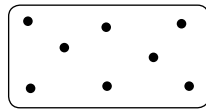
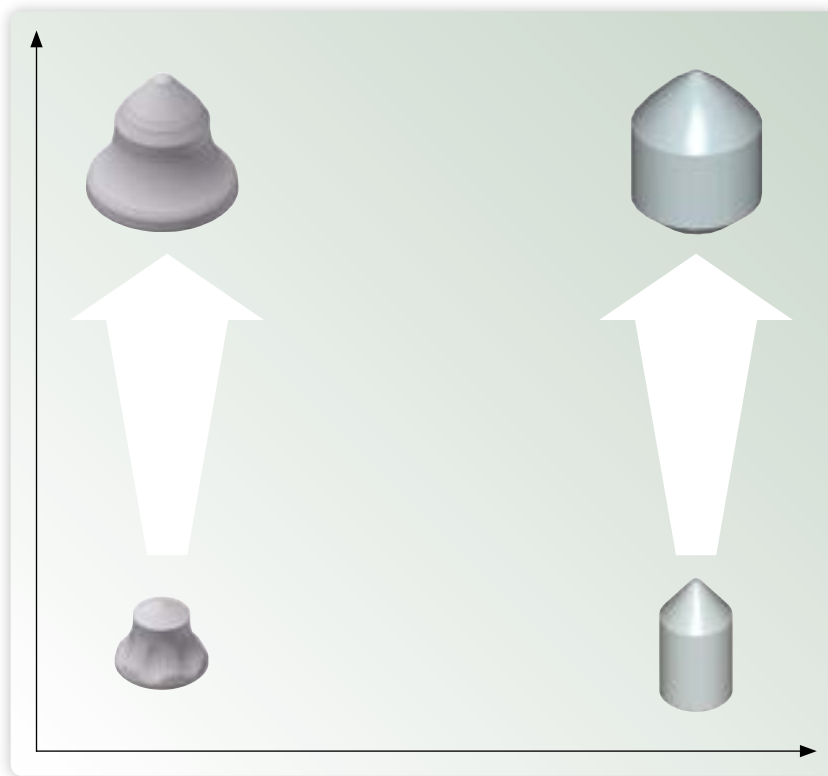
The right tool for your application



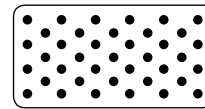
High
machine productivity



Low
machine productivity

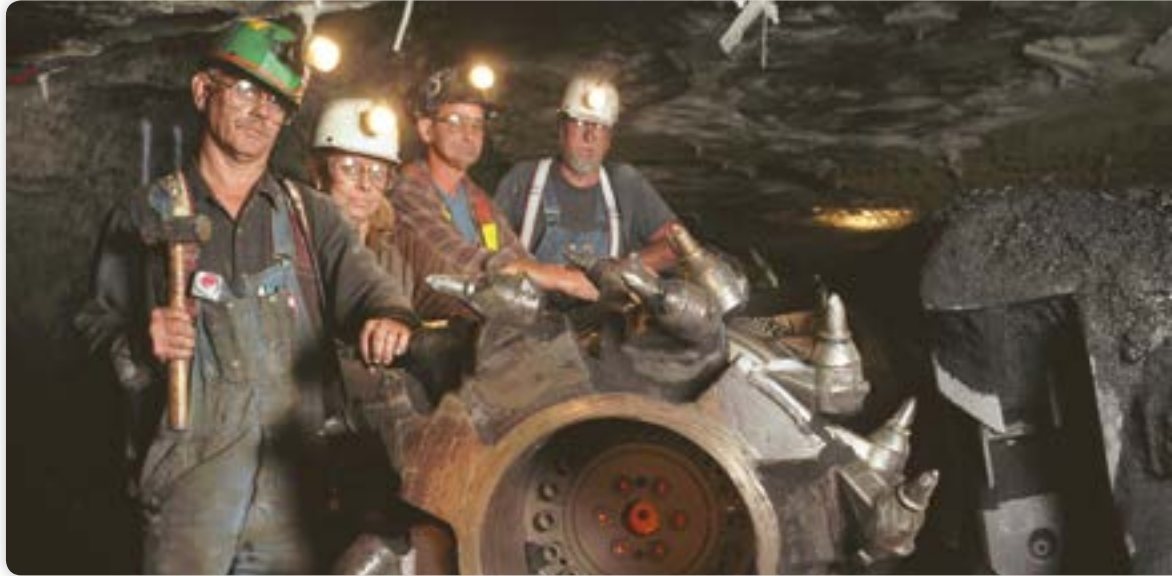


Soft minerals



Hard minerals / rock





Tool range

Page

Round shank cutter bits	Shank system	Ø 25 mm / 1"	8 – 10
Round shank cutter bits	Shank system	Ø 30 mm / 1,18"	11 – 15
Round shank cutter bits	Shank system	Ø 32 mm / 1,26"	16
Round shank cutter bits	Shank system	Ø 32 / 33 mm - 1,26 / 1,3"	16 – 19
Round shank cutter bits	Shank system	Ø 35 mm / 1,38"	20 – 22
Round shank cutter bits	Shank system	Ø 38 / 30 mm - 1,5 / 1,18"	22 – 27
Round shank cutter bits	Special shank systems		28 – 29
Round shank cutter bits	Shank system	Ø 38 mm	29
Round shank cutter bits	Shank system	Ø 40 mm / 1,58"	30
Round shank cutter bits	Shank system	Ø 43 / 35 mm - 1,7/1,38"	30 – 33
Radial pic, Wing bit			34 – 37
TungStuds			37 – 39

Below the pictures of tools on the following pages you will find the following information:

→ **Art-No**
→ Description



← Packaging unit

Dimensions: mm / inches

Welding instructions see:

www.betek.de/en/productprogramme/mining-tunneling-userinfo.html

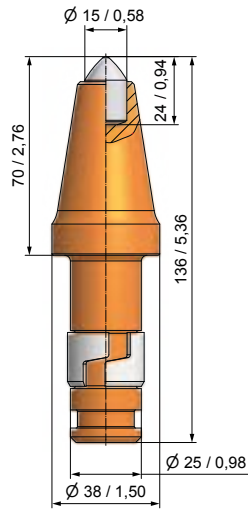


SUPPORT:

Germany : mining@betek.de
Tel.: +49 (0) 74 22 / 5 65-592

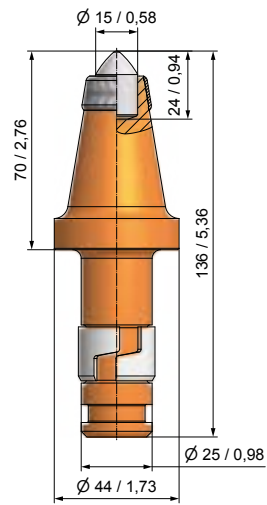
USA : mining-usa@betek.de

Shank system Ø 25 mm / 1"

**BTK110**

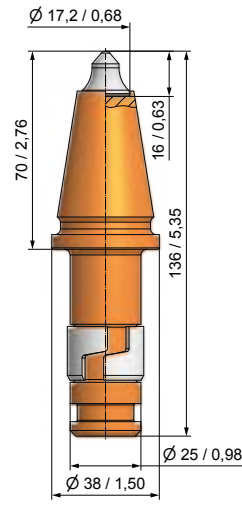
20

BG25HP-15.3870

**BTK111**

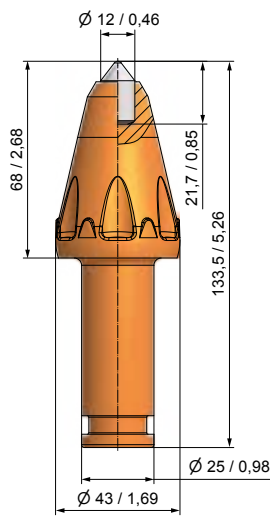
20

BG25HP-15.4470P

**BTK108**

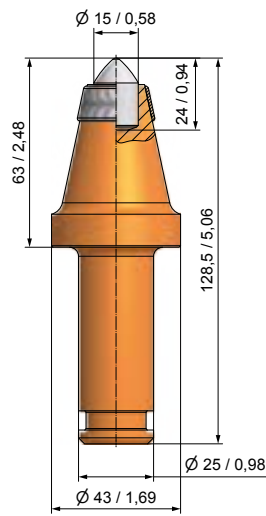
20

BG25HP-62.3870

**S1184****BTK140**

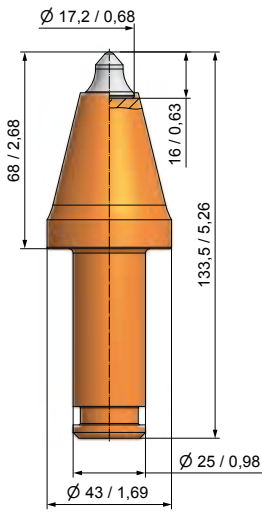
20

BG25P-12.4368

**BTK138**

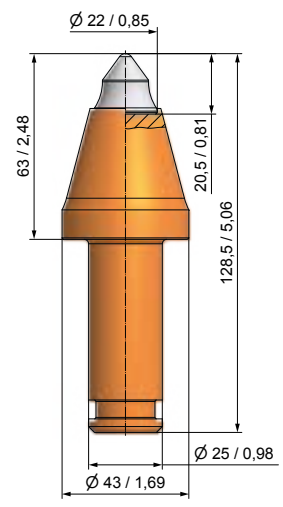
20

BG25P-15.4463P

**BTK109**

20

BG25P-62.4368

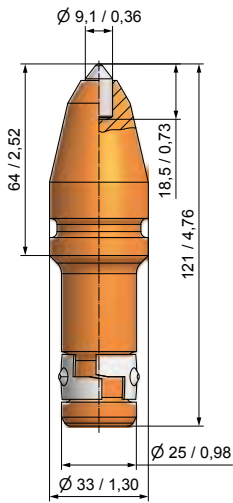
**BTK107**

20

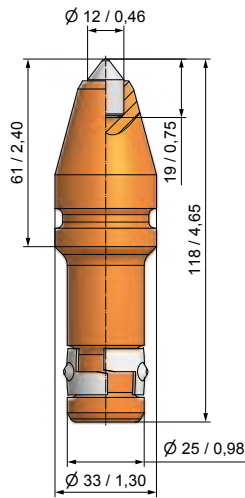
BG25P-74.4363



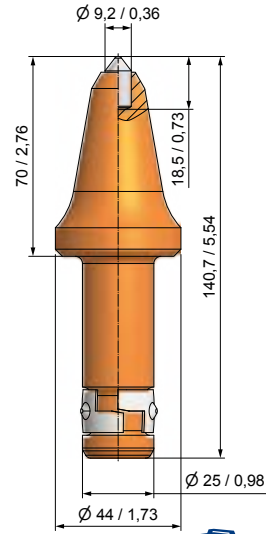
Shank system Ø 25 mm / 1"



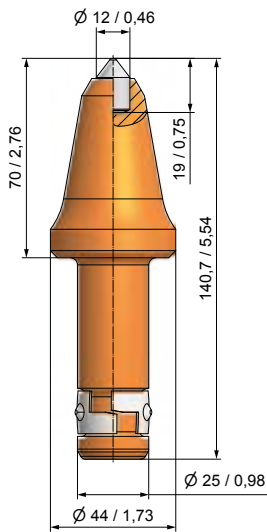
BTK01
B40K9



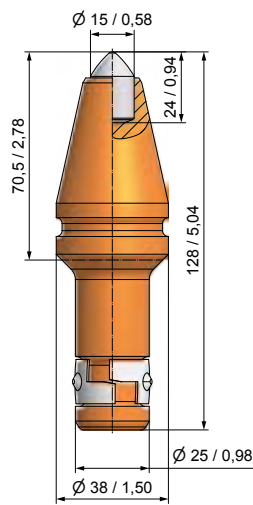
BTK03
B40HDK12



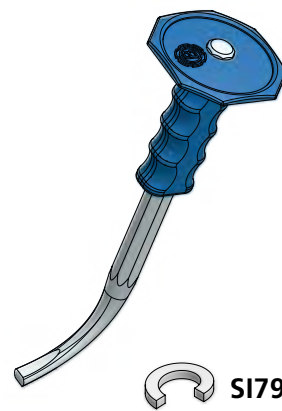
BTK128
BG25K-09.4470



BTK129
BG25K-12.4470

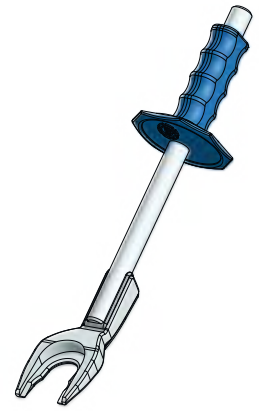


BTK09
BG25K-15.3871



SI79 / K

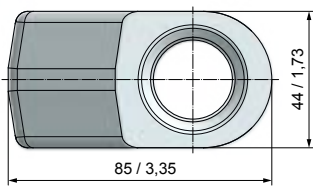
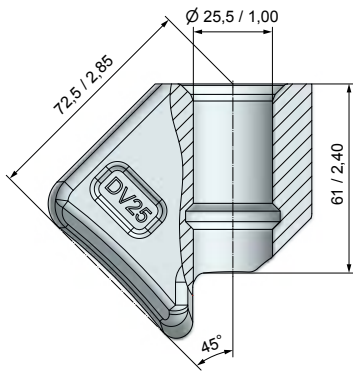
BZ43
Bit extractor



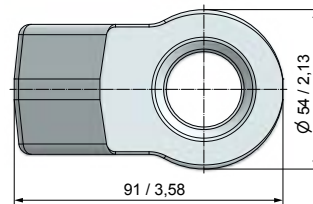
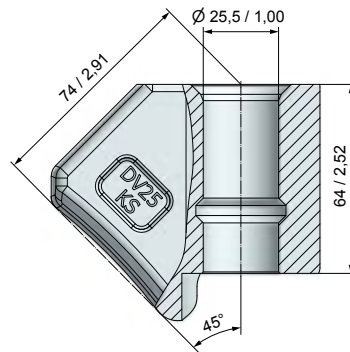
BZ22
Bit puller




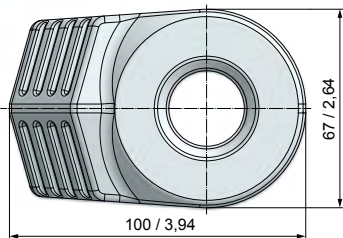
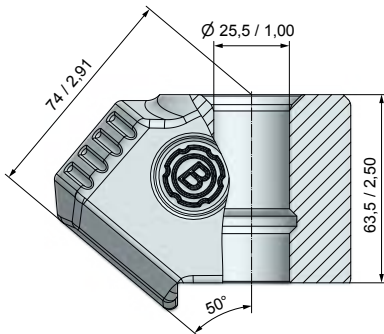
Shank system Ø 25 mm / 1"




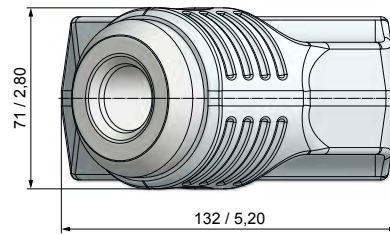
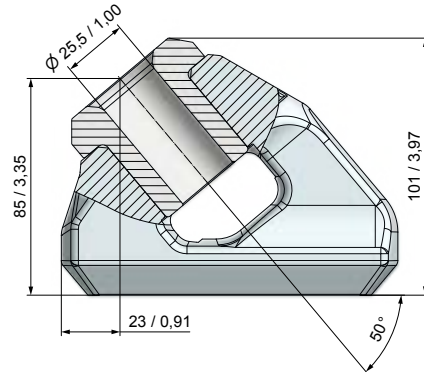
BHR31 
DV25




BHR121 
DV25KS

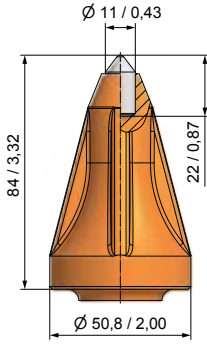


BHR186 
B25.6750

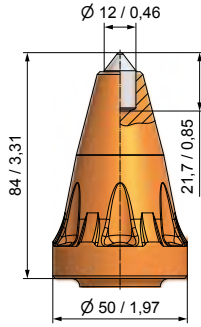


BHR185 
B132-101-B

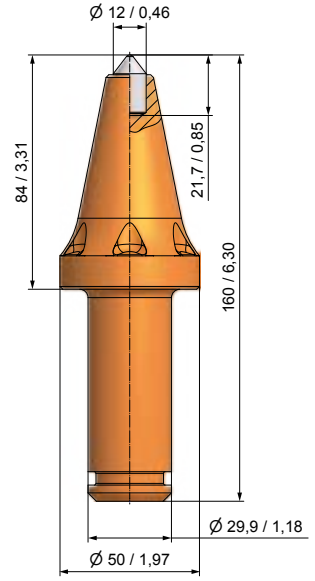
Shank system Ø 30 mm / 1,18"



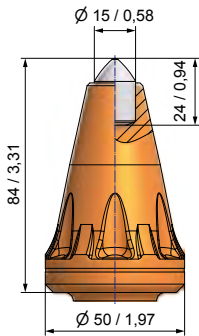
BGF14
BG30P-11.5184F



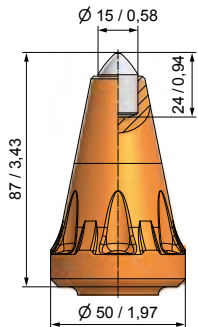
BGF30
BG30P-12.5084B



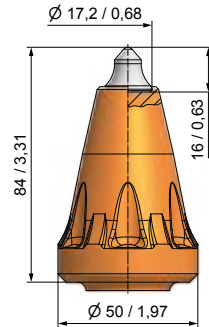
BGF21
BG30P-12.5084A



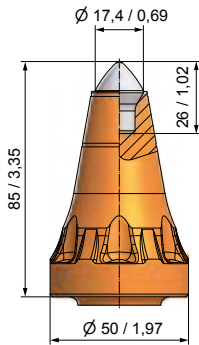
BGF29
BG30P-15.5084



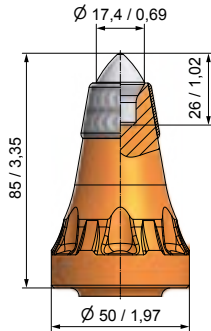
BGF22
BG30P-15.5087



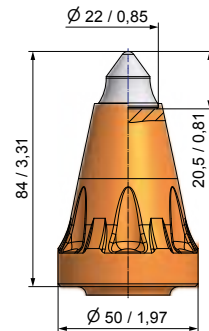
BGF19
BG30P-62.5084A



BGF27
BG30P-70.5085



BGF23
BG30P-70.5085P

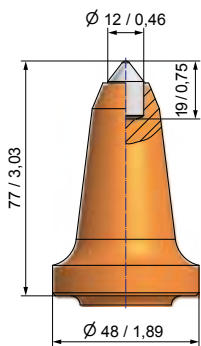


BGF26
BG30P-74.5084



Shank system $\varnothing 30 \text{ mm} / 1,18''$

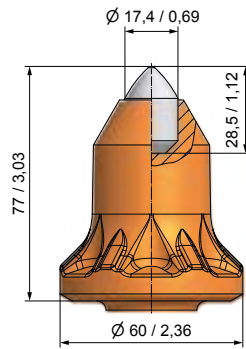
82 mm shank



BGK06

15

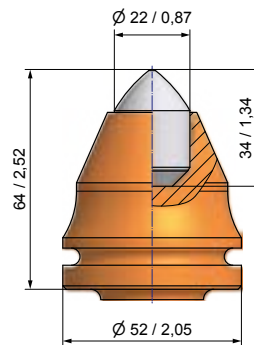
B47GK12LK77-K



BGK86

10

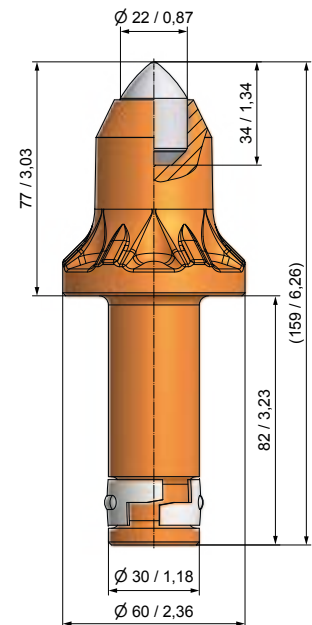
B47GK17.5LK77-KE



BGK38

10

B47GK22-K



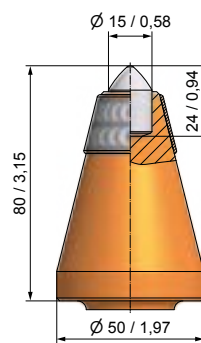
BGK90

10

BG30K-22.6077

Shank system $\varnothing 30 \text{ mm} / 1,18''$

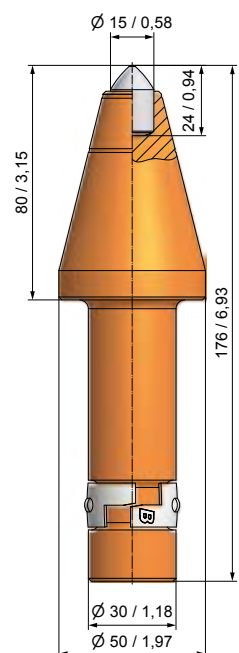
96 mm shank



BGK100P

15

BG30K-15.5080P

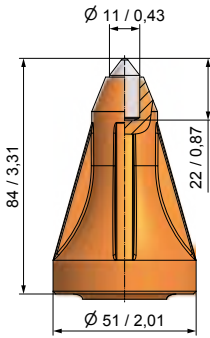


BGK100

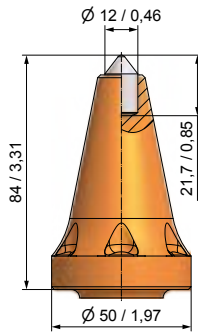
15

BG30K-15.5080

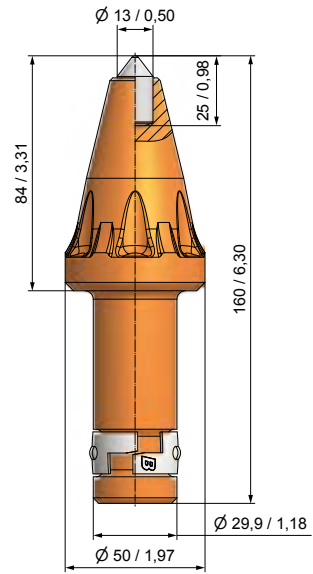
Shank system Ø 30 mm/1,18" 76 mm shank



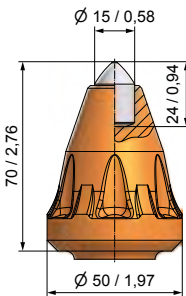
BGK99
BG30K-11.5184F



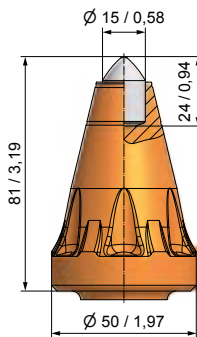
BGK101
BG30K-12.5084



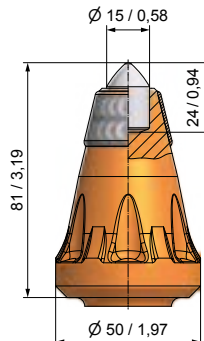
BGK103
BG30K-13.5084



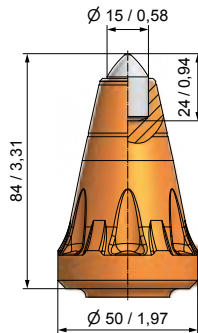
BGK95
BG30K-15.5070



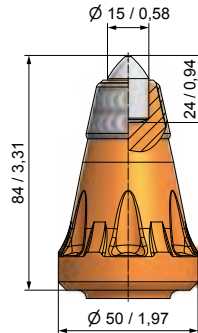
BGK84
BG30K-15.5081



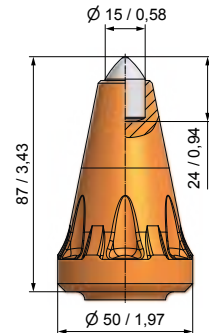
BGK96
BG30K-15.5081P



BGK97
BG30K-15.5084

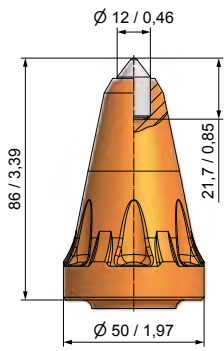


BGK97/P
BG30K-15.5084P



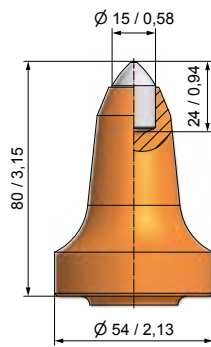
BGK88
BG30K-15.5087



Shank system $\varnothing 30 \text{ mm} / 1,18''$ **BGS101**

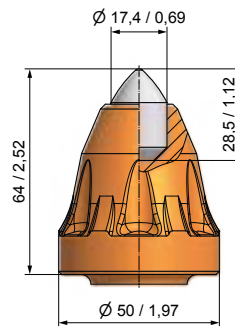
BG30W-12.5086

15

**BGS95**

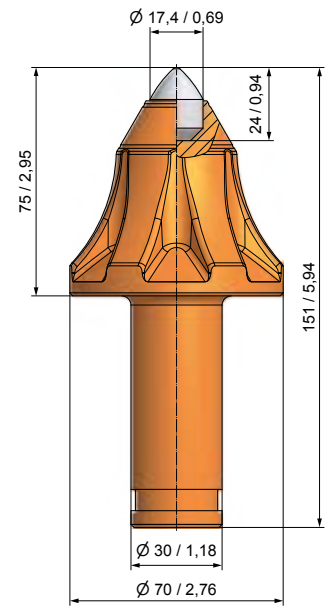
B47GK15LK80

10

**BGS102**

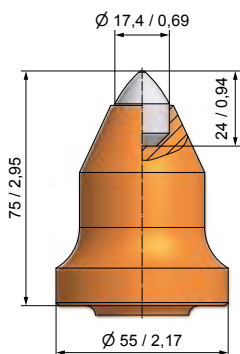
BG30W-17.5064

15

**BGS89**

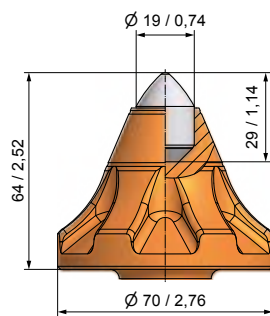
BG30W-17.7075

10

SR83**BGS80**

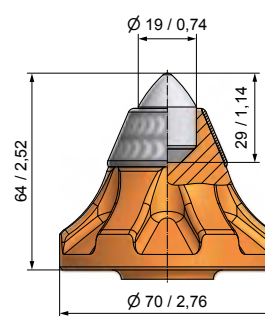
B47GK17.5LK75

10

**BGS88**

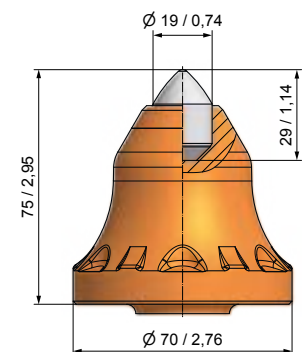
B47GK19/70-E

10

**BGS84**

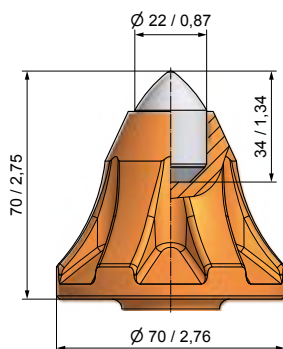
B47GK19/70-P

10

**BGS100**

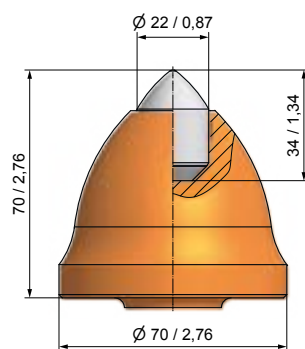
BG30W-19.7075

10

**BGS90**

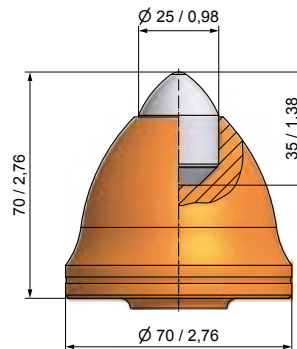
B47GK22LK70-E

10

**BGS93**

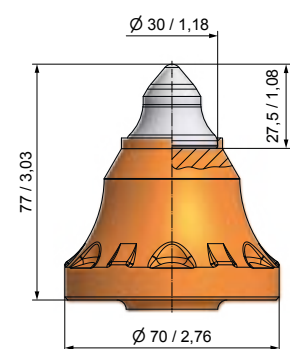
B47GK22LK70/70

10

**BGS16**

BG30W-25.7070A

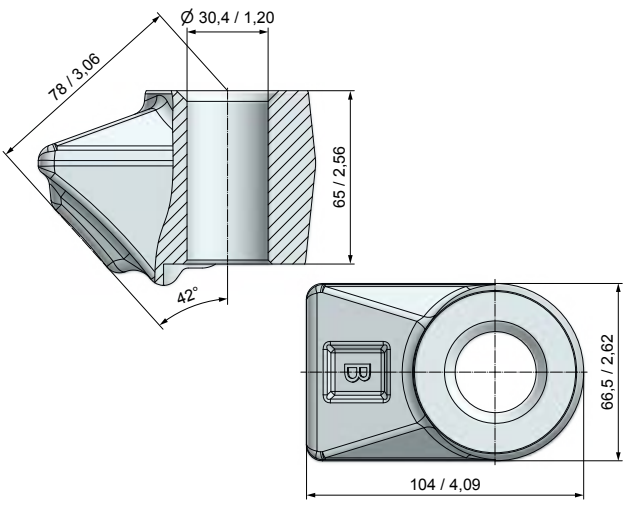
10

**BGS103**

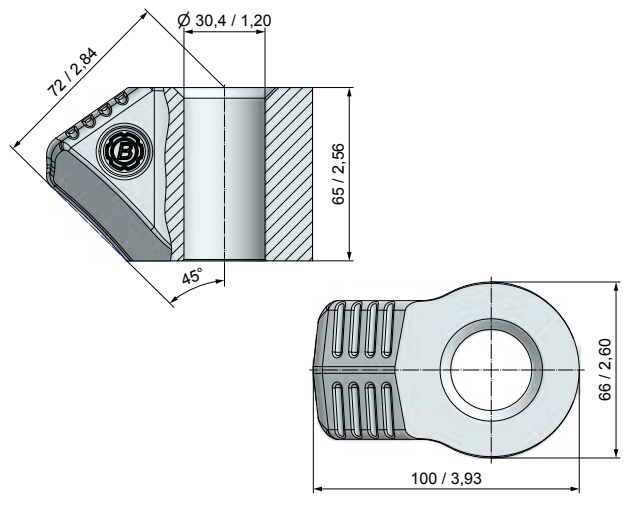
BG30W-69.7077

10

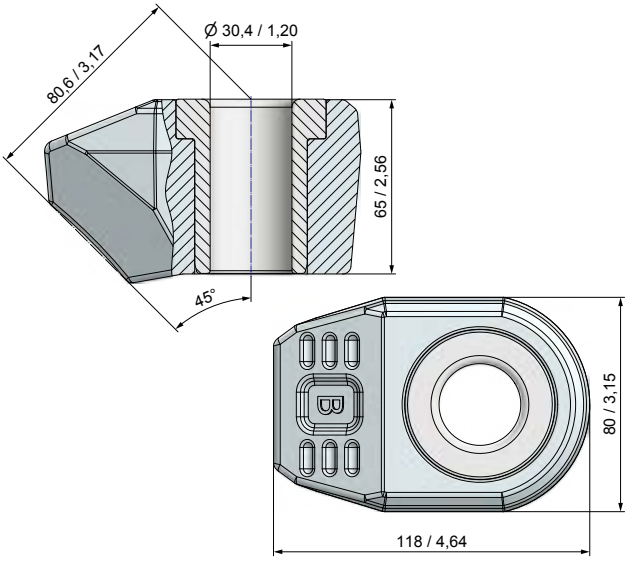
Shank system Ø 30 mm / 1,18"



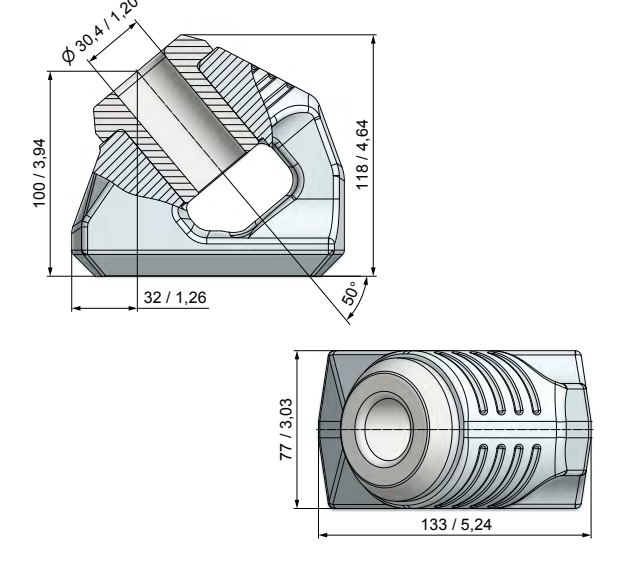
BHR35
B30.65



BHR94
B43G



BHR75
B30.65H

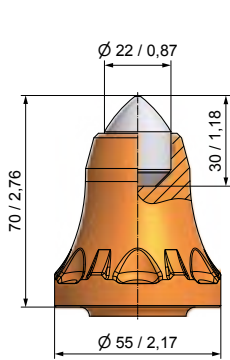


BHR183
B133-118-B



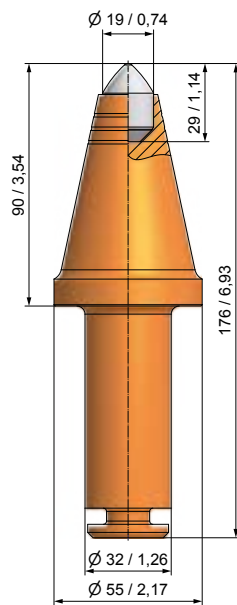
BZ39
Wedge puller



Shank system $\varnothing 32 \text{ mm}/1,26''$ 

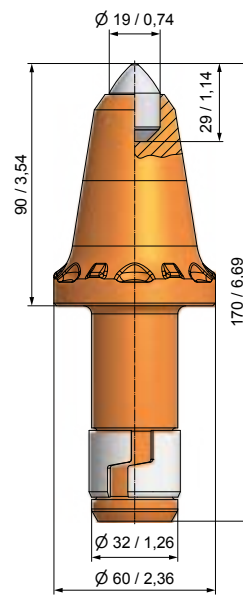
BSR295
BG32FL-22.5570

10



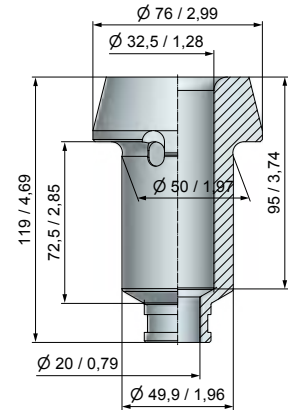
BSR303
BG32FL-19.5590

10



BSR271
BG32H-19.6090

10



BR89
BR50-32/K

10

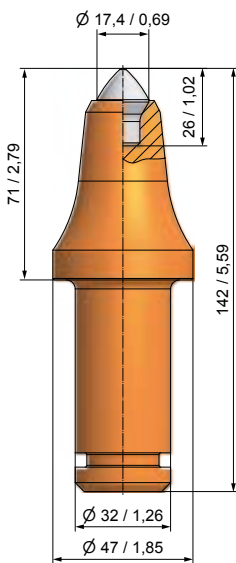
Shank system $\varnothing 32/\varnothing 33 \text{ mm} (1,26/1,3)$ 

Holder length 58 mm

Holder length 61 mm

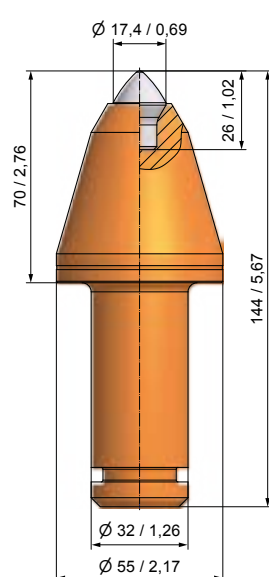
Holder length 62 mm

Holder length 63 mm



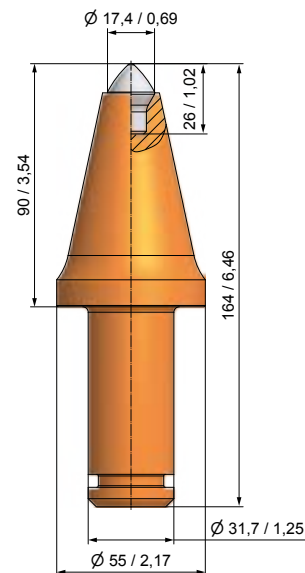
BSR245
BG32P-70.4771

15



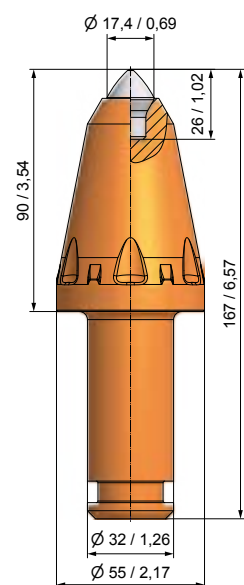
BSR269
BG32P-70.55.70C

10



BSR255
BG32P-70.5590A

10



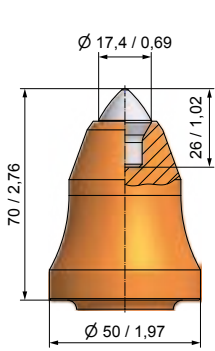
BSR290
BG32P-70.5590A

10

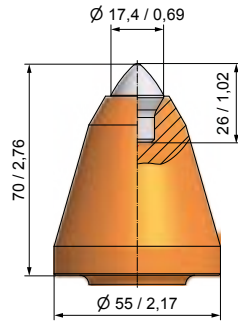
Shank system Ø 32/Ø 33 mm (1,26/1,3)



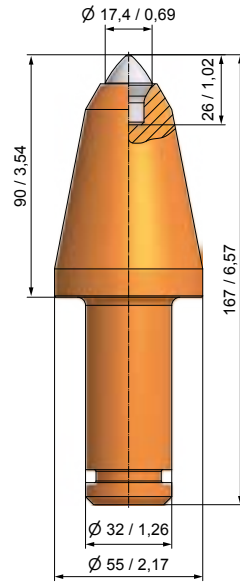
Holder length 64 mm



BSR248
BG32P-70.5070



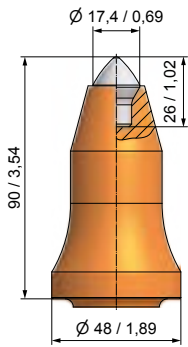
BSR251
BG32P-70.5570A



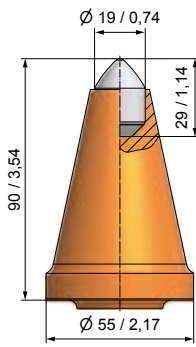
BSR279
BG32P-70.5590



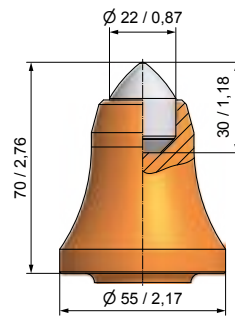
Holder length 67 mm



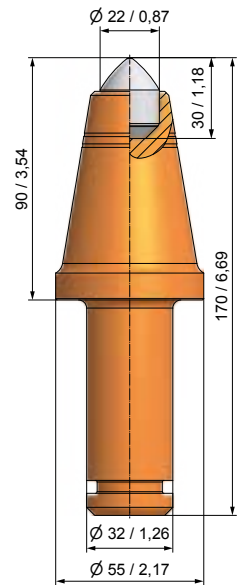
BSR234
BG32P-70.4890



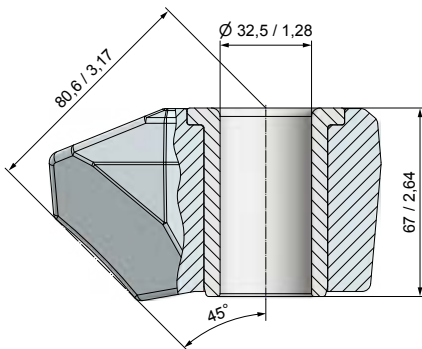
BSR281
BG32P-19.5590A



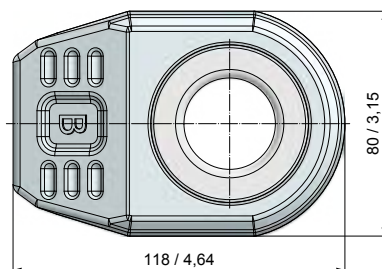
BSR262
BG32P-22.5570A



BSR294
BG32P-22.5590A



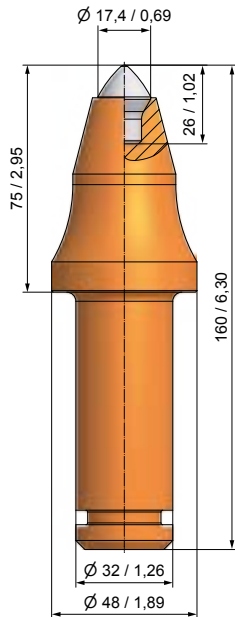
BHR205
B32.67H



Shank system Ø 32/Ø 33 mm (1,26/1,3)



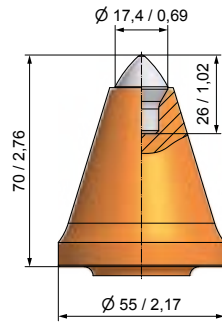
Holder length 72 mm

**BSR165**

BG32W-70.4875

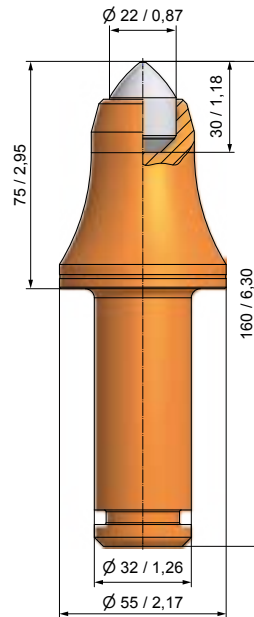
10

Holder length 73 mm

**BSR241**

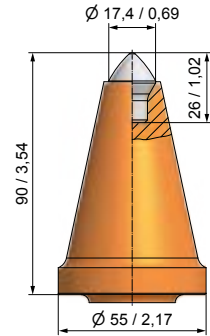
BG32P-70.5570

15

**BSR247**

BG32P-22.5575

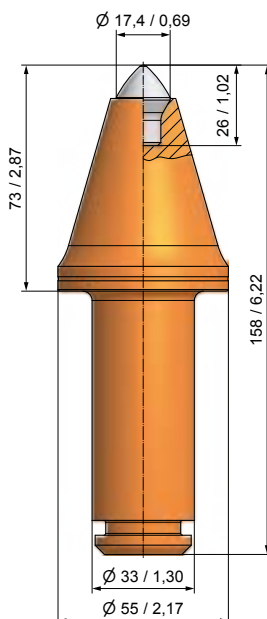
15

**BSR253**

BG32P-70.5590

15

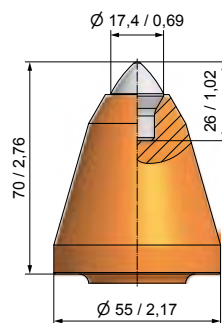
Holder length 74 mm

**BSR242**

BG33P-70.5573

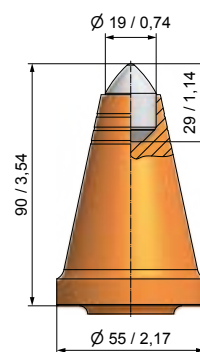
10

Holder length 75 mm

**BSR252**

BG32P-70.5570B

15

**BSR270**

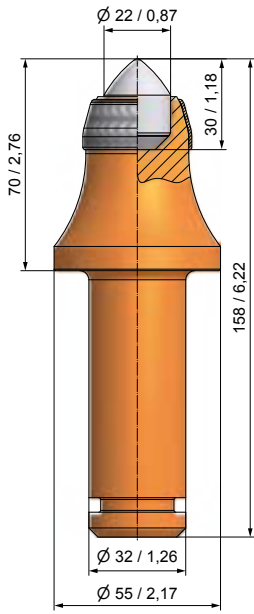
BG32P-19.5590

10

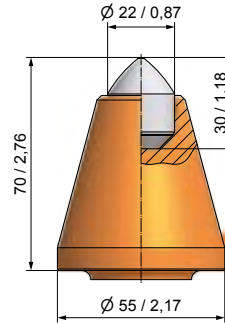
Shank system Ø 32/Ø 33 mm (1,26/1,3)



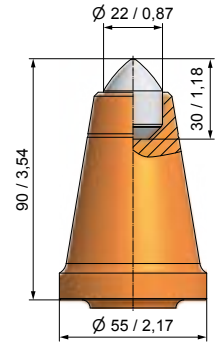
Holder length 75 mm



BSR246
BG32P-22.5570



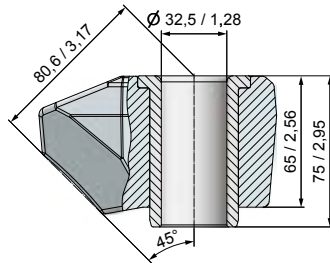
BSR263
BG33P-22.5570



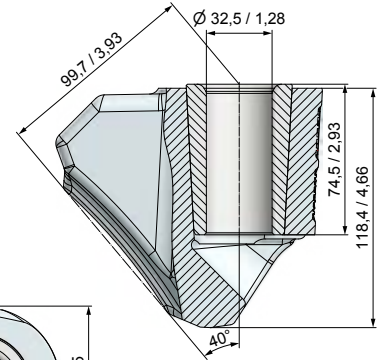
BSR282
BG32P-22.5590



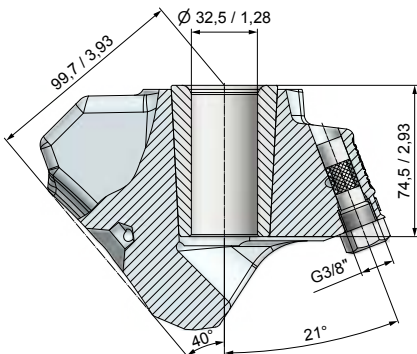
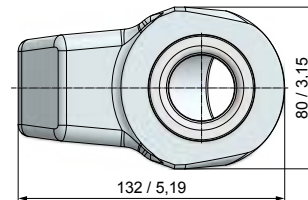
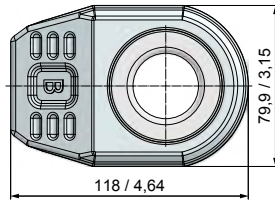
BSR274
BG32P-22.5570P



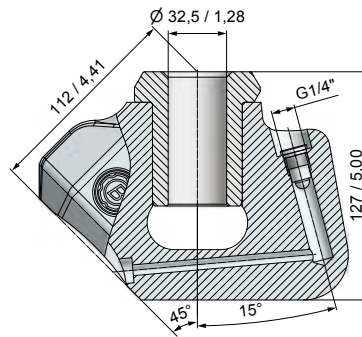
BHR224
B32.75H



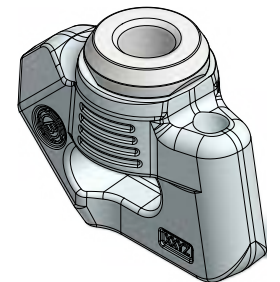
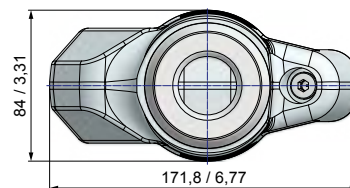
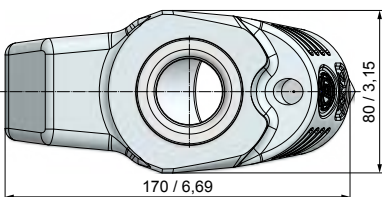
BHR242
B33.8040



BHR243
B33.8040-B

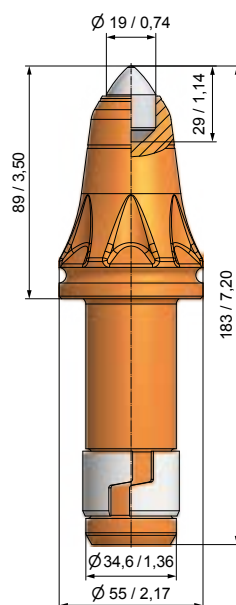


BHR213
B32.8445-B



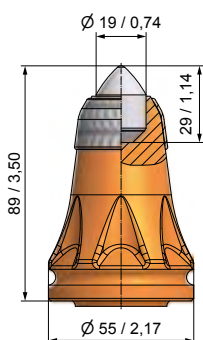
Shank system $\varnothing 35 \text{ mm} / 1,38''$

Gauge 89 mm / 3,5''

**BSR111P**

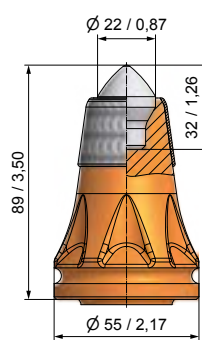
BG35H-19.5589AP

10

**BSR285**

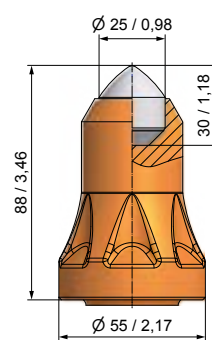
BG35H-73.5589P

10

**BSR228**

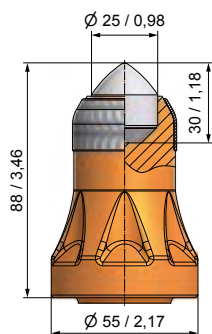
BG35H-25.5588

10

**BSR111**

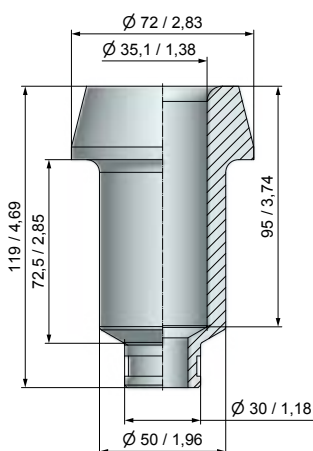
BG35H-19.5589A

10

**BSR288**

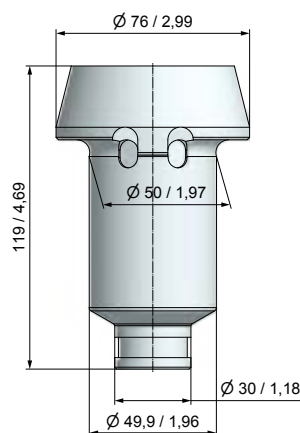
BG35H-25.5588P

10

**BR71**

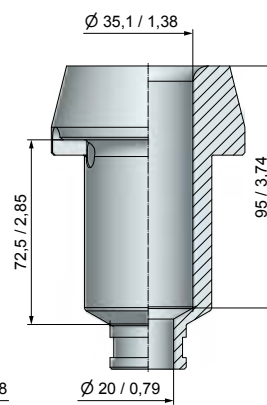
BR49.8-35-119

10

**BR88**

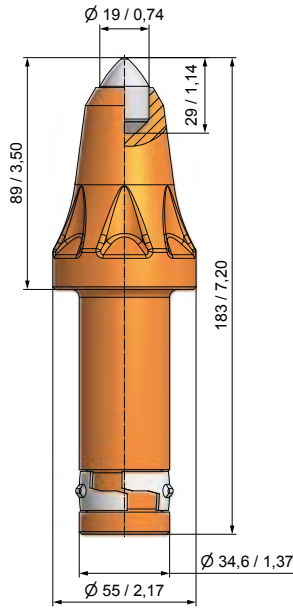
BR50-35/K

6



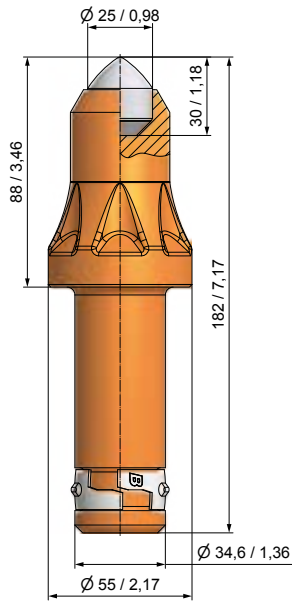
Shank system Ø 35 mm / 1,38"

Gauge 89 mm / 3,5"



BSR112

BG35K-19.5589



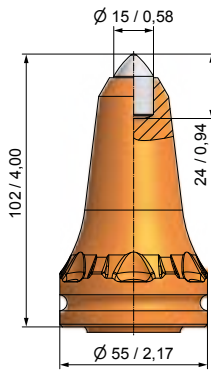
BSR259

BG35K-25.5588



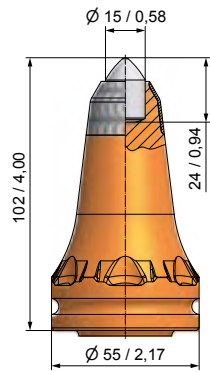
Shank system Ø 35 mm / 1,38"

Gauge 100-102 mm / 4"



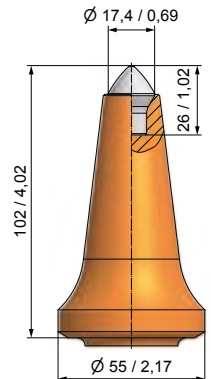
BSR221

BG35H-15.55102A



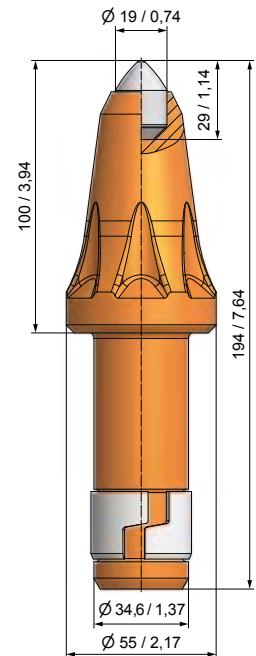
BSR224

BG35H-15.55102P



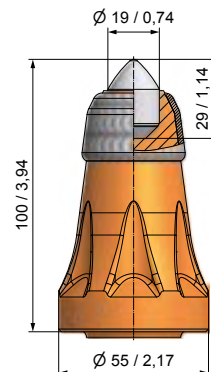
BSR150

BG35H-70.55102



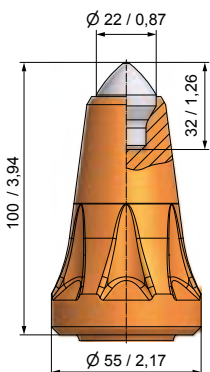
BSR175

BG35H-19.55100



BSR146/2

BG35H-19.55100PA



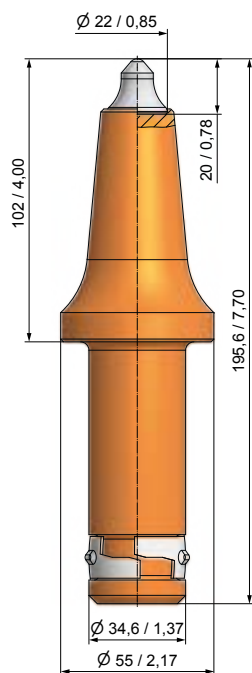
BSR249

BG35H-73.55100



Shank system \varnothing 35 mm / 1,38"

Gauge 100-102 mm / 4"



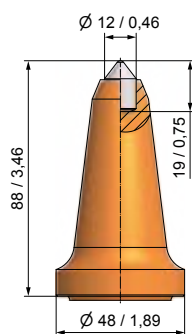
BSR126

10

BG35K-67.55102

BZ39

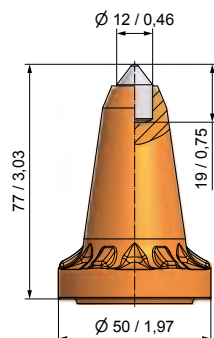
Wedge puller

Shank system \varnothing 38/30 mm - 1,5/1,18"

BKS16

10

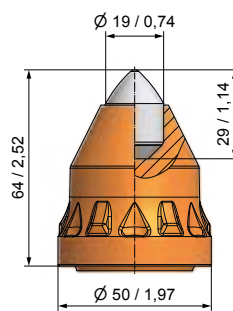
B46K12LK90



BKS153

15

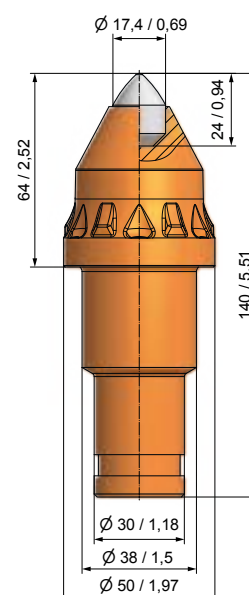
BS38W-12.5077



BKS154

10

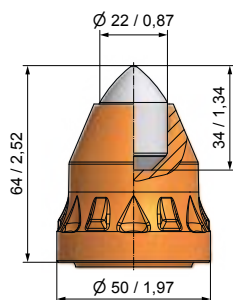
BS38W-19.5064



BKS155

15

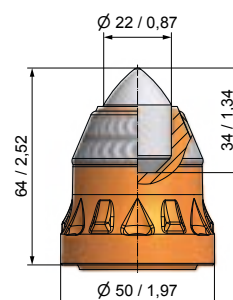
BS38W-17.5064



BKS156

15

BS38W-22.5064



BKS156/P

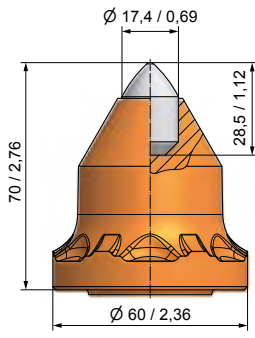
15

BS38W-22.5064P

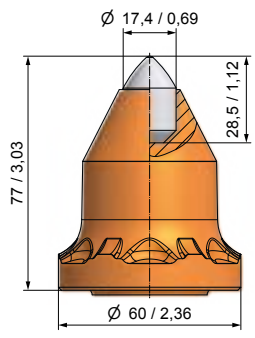
SR83



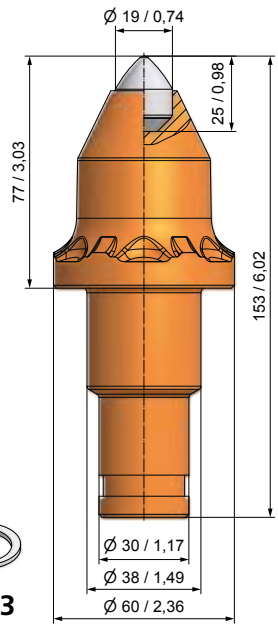
Shank system Ø 38/30 mm - 1,5/1,18"



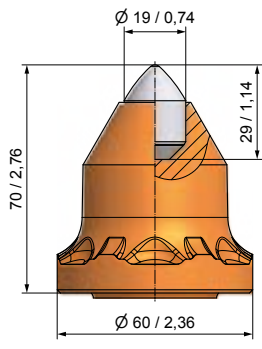
BKS166
BS38W-17.6070



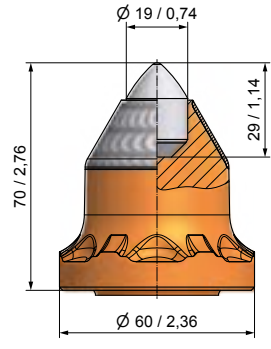
BKS171
BS38W-17.6077



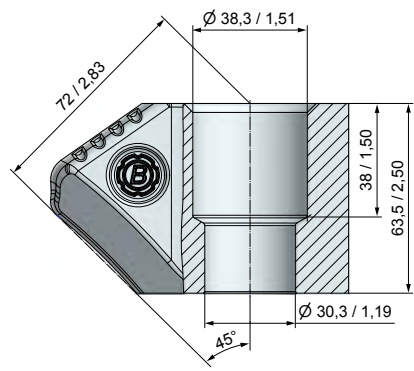
BKS172
BS38W-19.6077



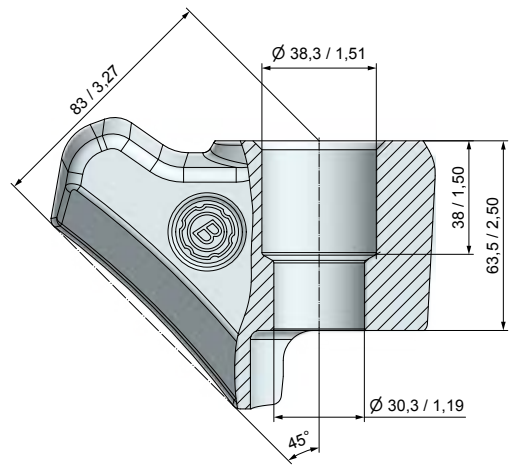
BKS189
BS38W-19.6070



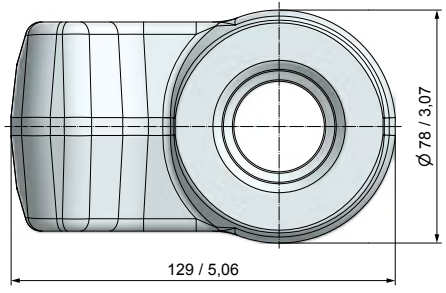
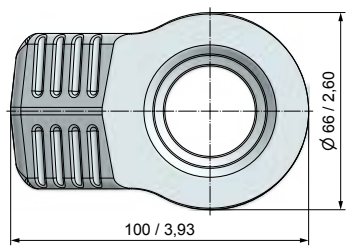
BKS190
BS38W-19.6070P

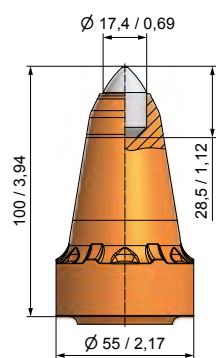


BHR38
B43H



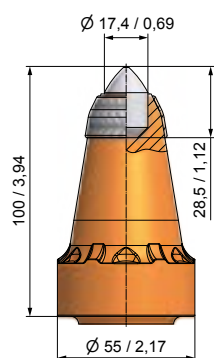
BHR204
B3830.7845



Shank system $\varnothing 38 \text{ mm} / 1,5''$ 

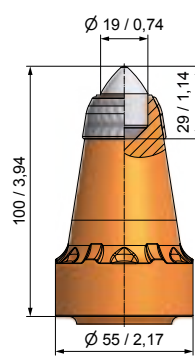
BSR292
BG38H-17.55100A

10



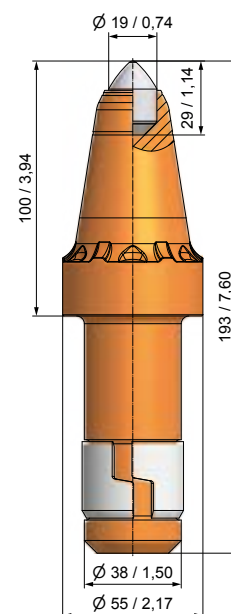
BSR292P
BG38H-17.55100PA

10



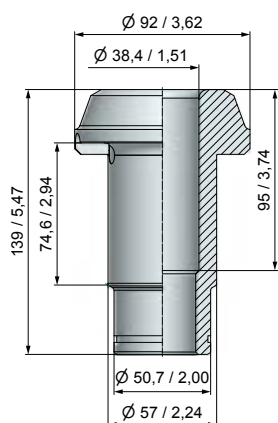
BSR291P
BG38H-19.55100PA

10



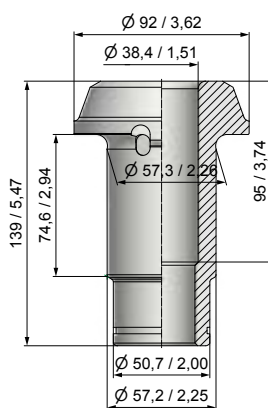
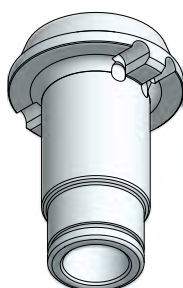
BSR291
BG38H-19.55100A

8



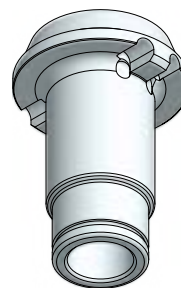
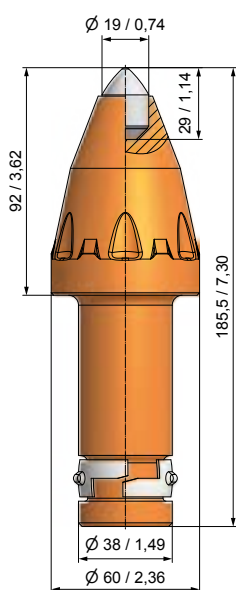
BR76
BR 57-38

5



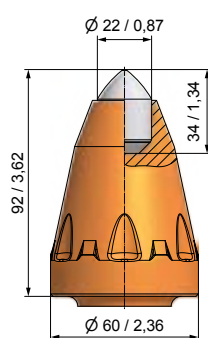
BR87
BR 57-38/K

5

Shank system $\varnothing 38 \text{ mm} / 1,5''$ 

BSR296
BG38K-19.6092

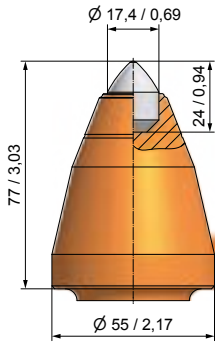
8



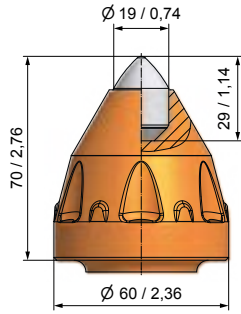
BSR297
BG38K-22.6092

8

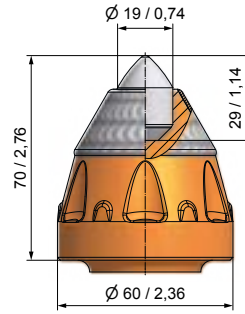
Shank system Ø 38 mm / 1,5"



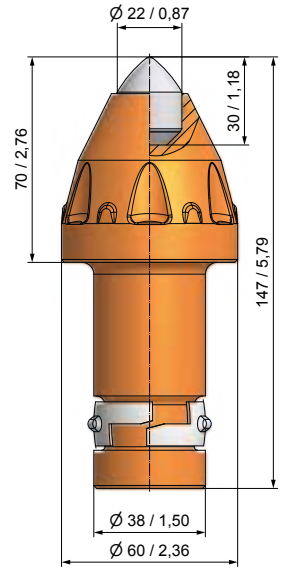
BSR286
BG38K-17.5577A



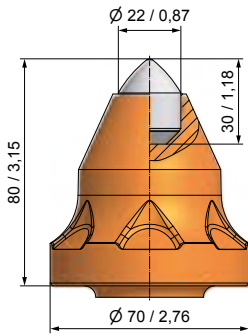
BSR188
BG38K-19.6070



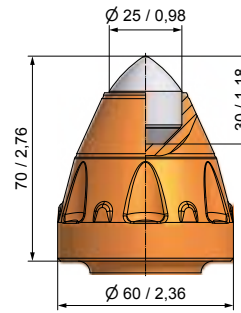
BSR202
BG38K-19.6070P



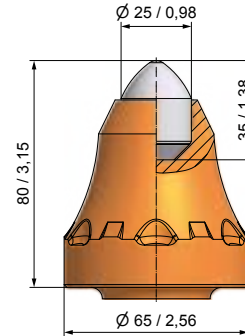
BSR189
BG38K-22.6070



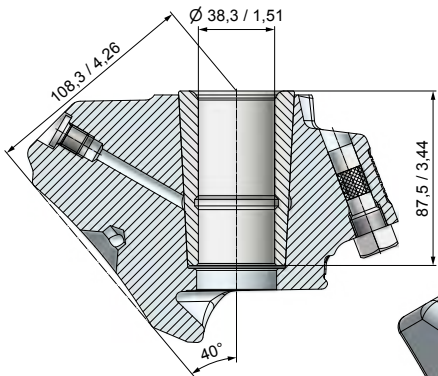
BSR125
BG38K-22.7080A



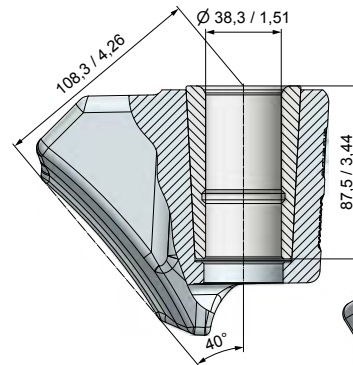
BSR190
BG38K-25.6070



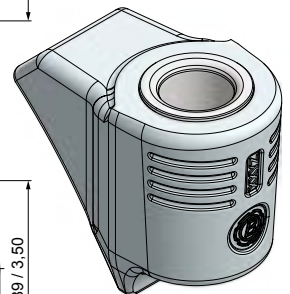
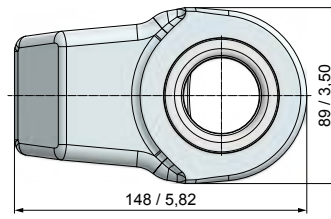
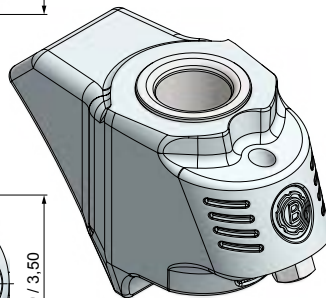
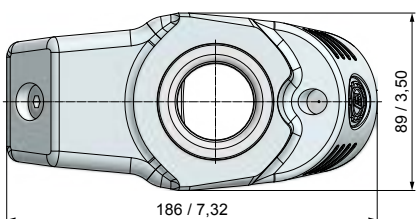
BSR160
BG38K-25.6580



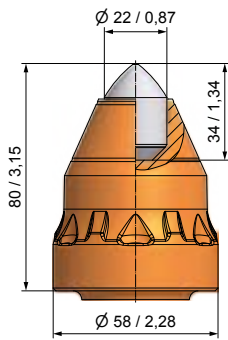
BHR222
B38.8940-B



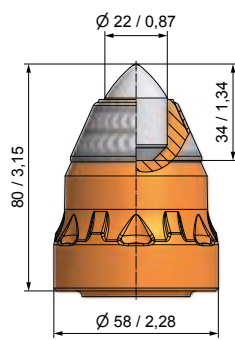
BHR219
B38.8940



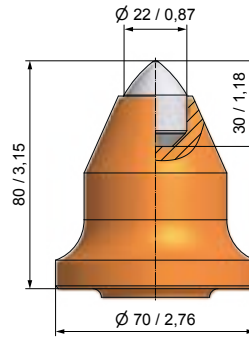
Shank system Ø 38 mm / 1,5" Holder length 65 mm / 2,6"

**BSR174**

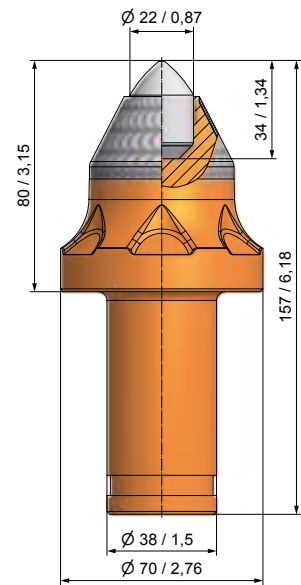
BG38W-22.5880A

**BSR180**

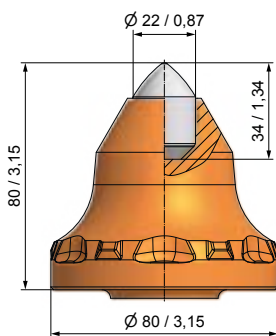
BG38W-22.5880PA

**BSR140**

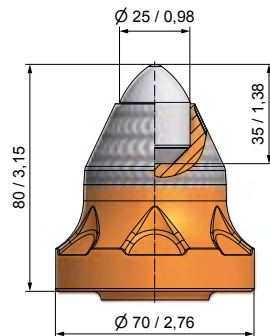
BG38W-22.7080

**BSR199**

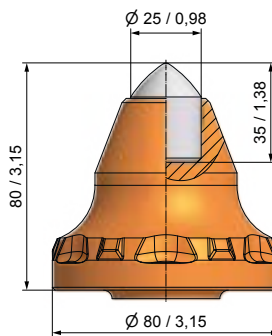
BG38W-22.7080AP

**SR65 / 2.5****BSR198**

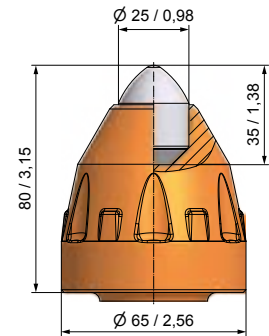
BG38W-22.8080A

**BSR200**

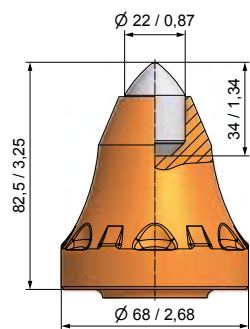
BG38W-25.7080P

**BSR201**

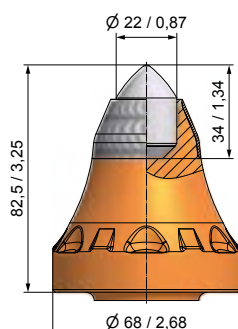
BG38W-25.8080A

**BSR312**

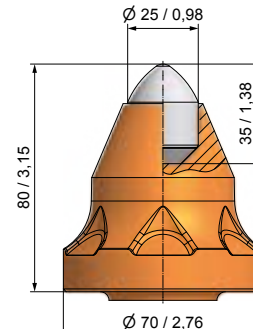
BG38W-25.6580B

**BSR237**

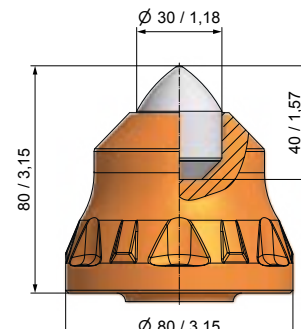
BG38W-22.6883A

**BSR240**

BG38W-22.6883PA

**BSR287**

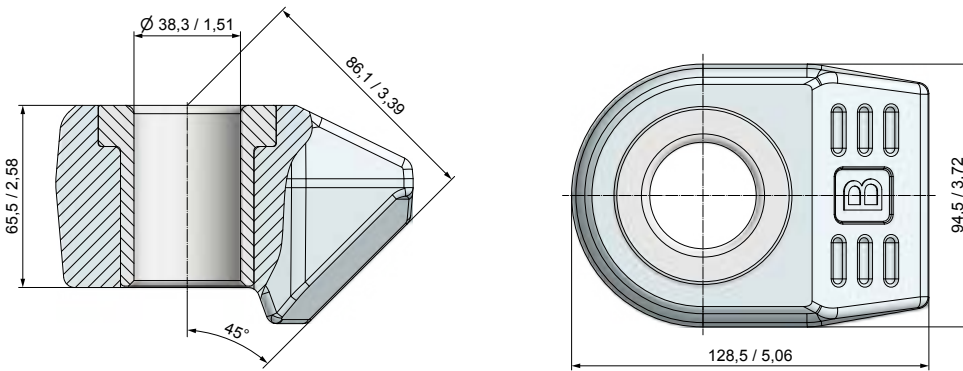
BG38W-25.7080

**BSR197**

BG38W-30.8080A



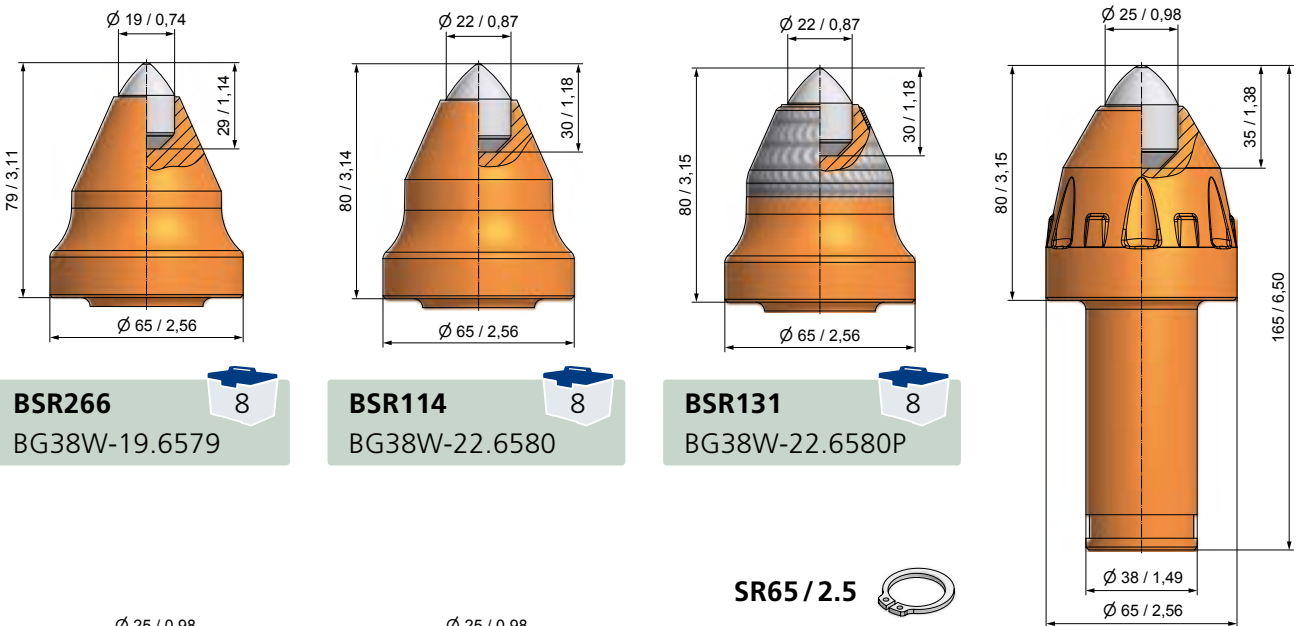
Shank system Ø 38 mm / 1,5" Holder length 65 mm / 2,6"



BHR169
B38H



Shank system Ø 38 mm / 1,5" Holder length 75 mm / 3,0"



BSR266
BG38W-19.6579



BSR114
BG38W-22.6580



BSR131
BG38W-22.6580P



BSR193
BG38W-25.6580A



BSR223
BG38W-25.6880PA



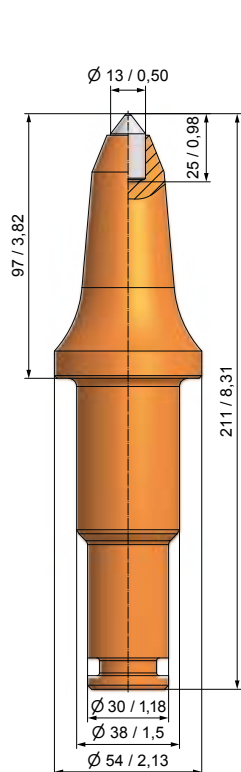
BSR215
BG38W-25.6580P



SR65 / 2.5



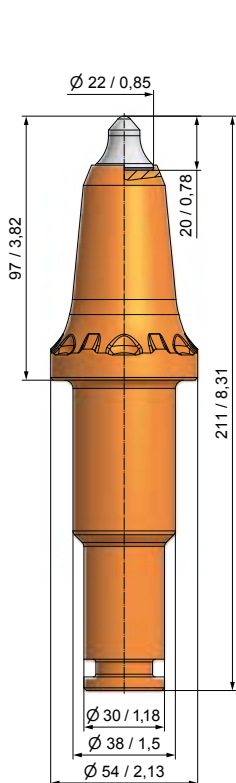
Special shank systems



BK14

10

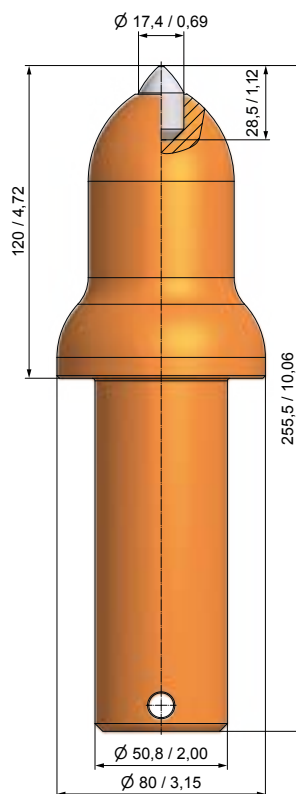
B47K13LK97L



BK23

10

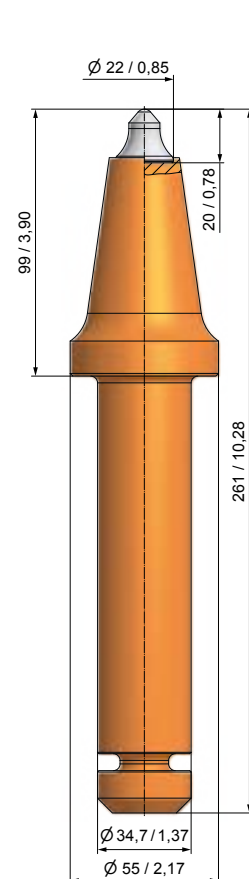
BS38F-67.5497



BSR109

4

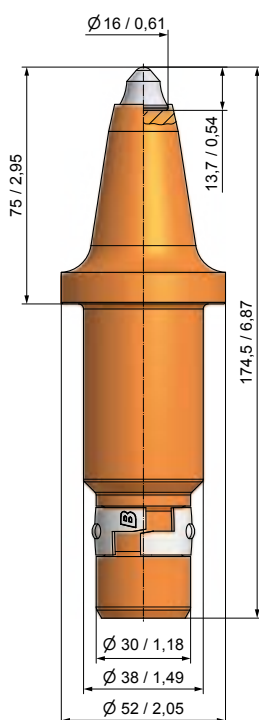
BG51S-17.80120



BSR153

5

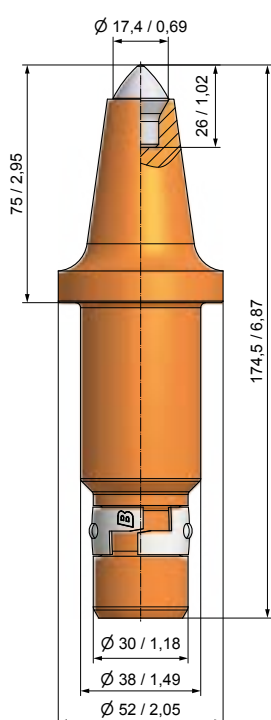
BG35X-67.5599



BLK10

10

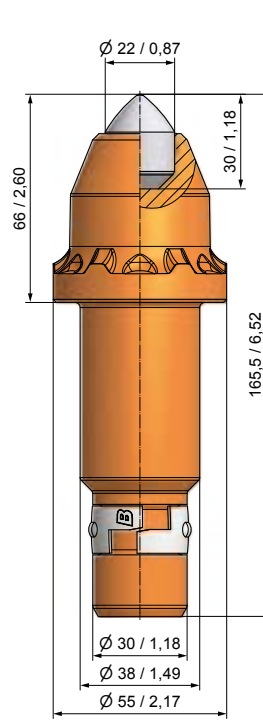
B46K2L



BLK14

10

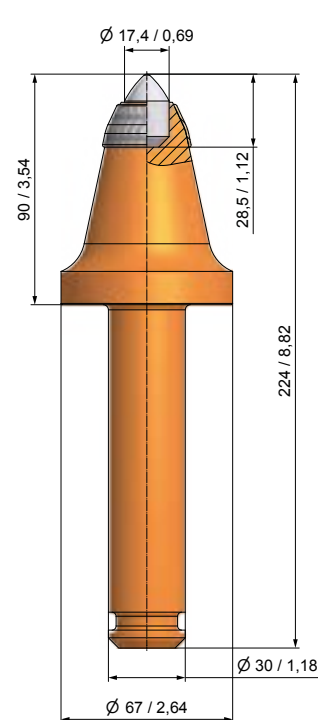
BS38K-70.5275



BLK12

10

BS38K-22.5566

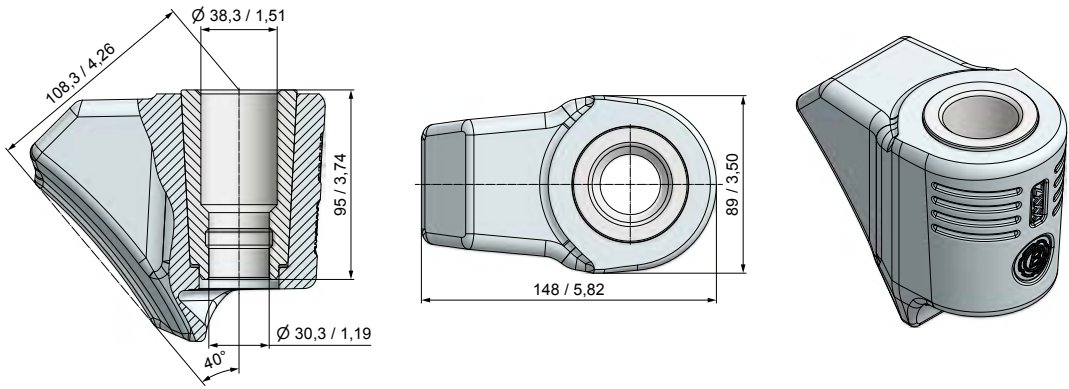


BGF34

10

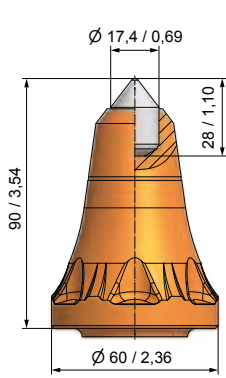
BG30F-17.6790P

Special shank systems

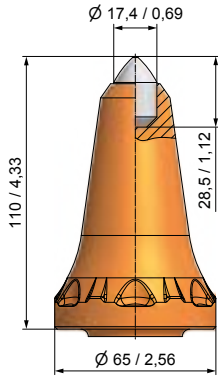


BHR191
B3830.8940 3

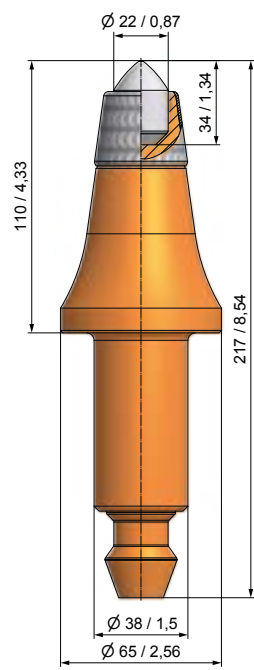
Shank system Ø 38 mm / 1,5"



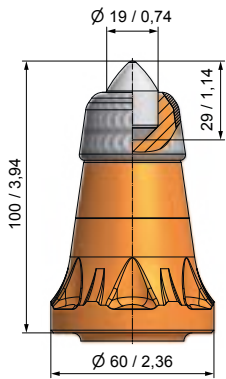
BKR27
BG38X-17.6090 8



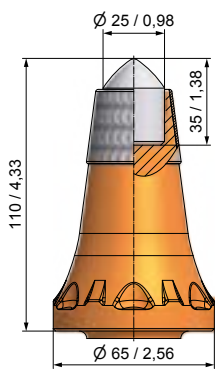
BKR33
BG38X-17.65110 7



BKR31/2
BG38X-22.65110PB 6

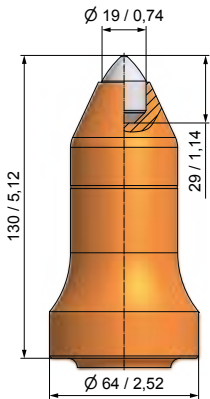


BKR25/2
BKR19LK100/S38-P 8

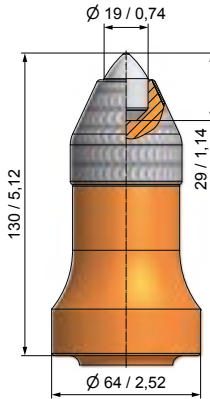



BKR32
BG38X-25.65110P 8

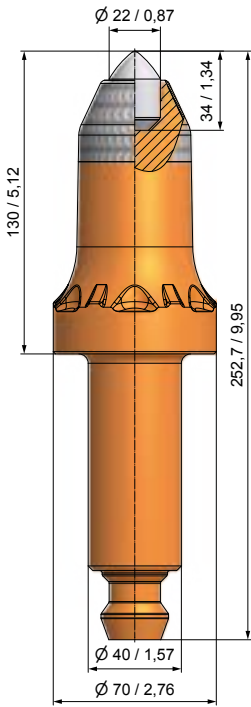
Shank system Ø 40 mm / 1,58"




BKR26 
BKR19LK130/64/2



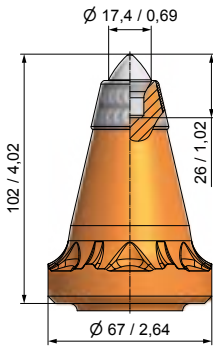
BKR24 
BKR19LK130/64P



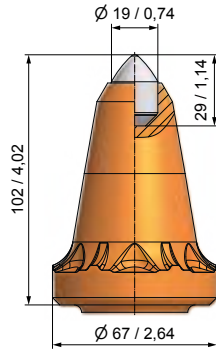
BKR30 
BG40X-22.70130PA



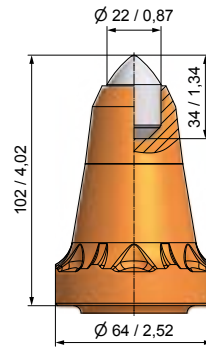
Shank system Ø 43/35 mm - 1,70/1,38" Gauge 102 mm/4,0"



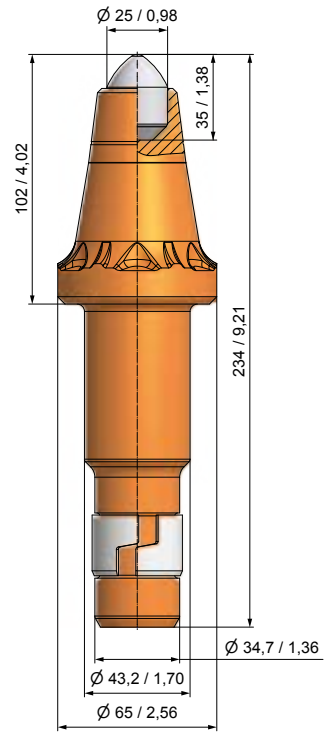
BSR230
BS43H-70.67102P



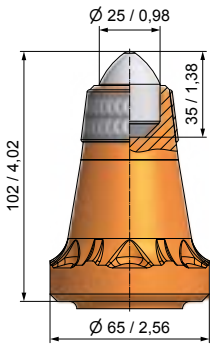
BSR204
BS43H-19.67102A



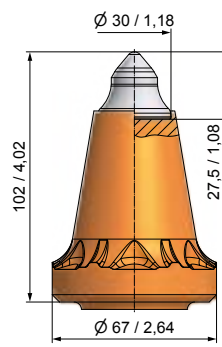
BSR236
BS43H-22.64102



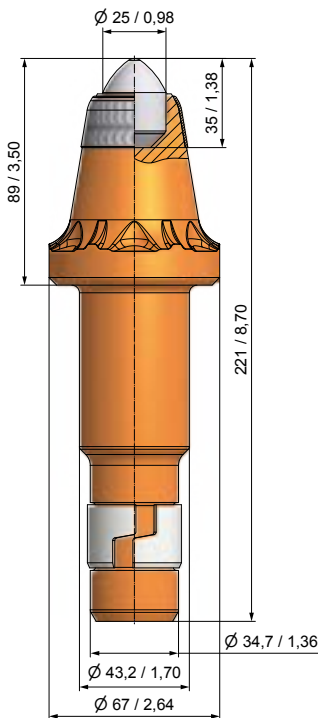
BSR258
BS43H-25.65102



BSR258/P
BS43H-25.65102P



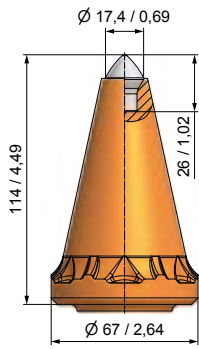
BSR181
BS43H-69.67102A



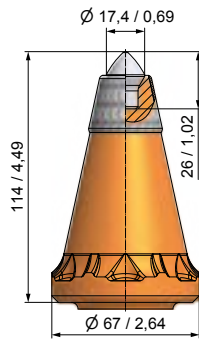
BSR265
BS43H-25.6789P



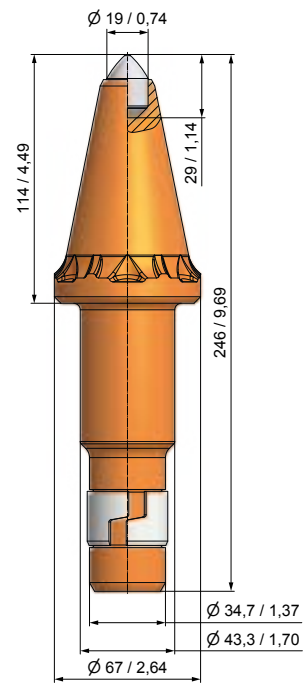
Shank system Ø 43/35 mm - 1,70/1,38" Gauge 114 mm/4,5"



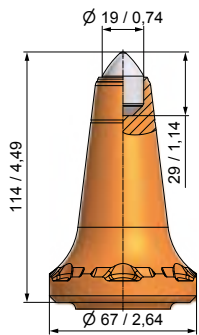
BSR191
BS43H-70.67114A



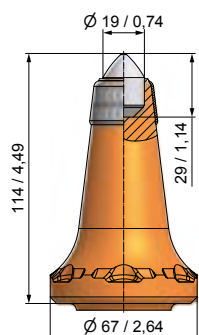
BSR211
BS43H-70.67114AP



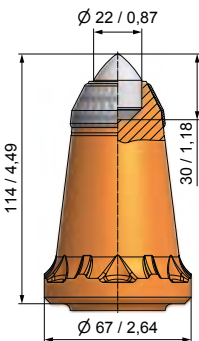
BSR182
BS43H-19.67114



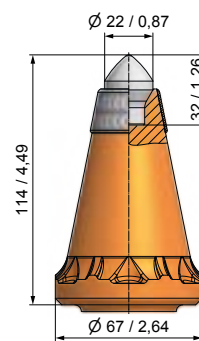
BSR184
BS43H-19.67114A



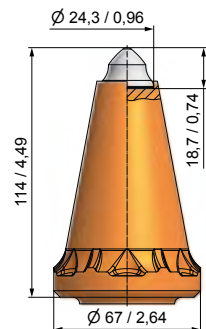
BSR184/P
BS43H-19.67114AP



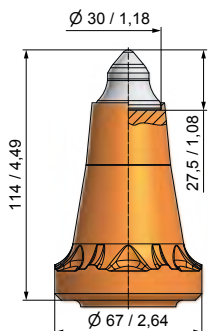
BSR178
BS43H-22.67114P



BSR206
BS43H-73.67114P



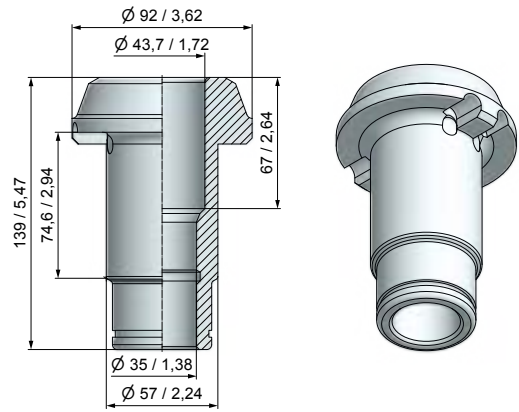
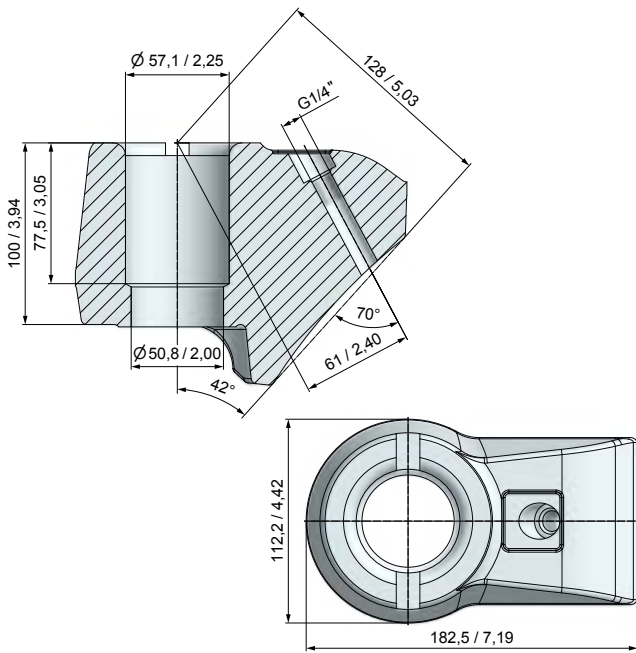
BSR205
BS43H-68.67114



BSR203
BS43H-69.67114



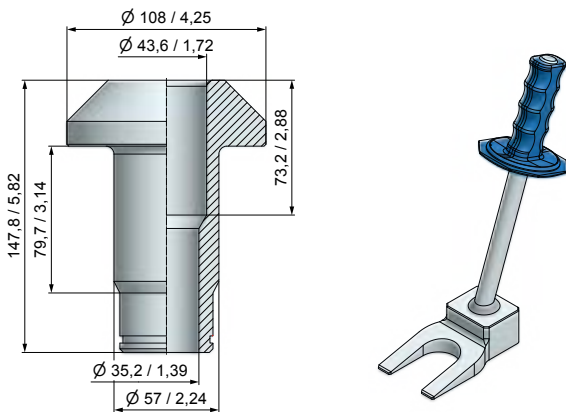
Shank system 43/35 mm - 1,70/1,38"



BHR159
B300



BR74
BR57-44



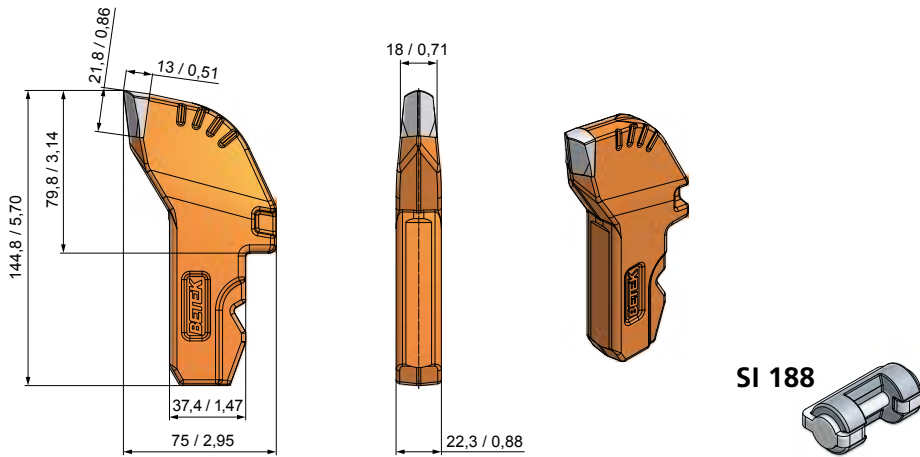
BR79
BR57-44-144



BZ40
Wedge puller



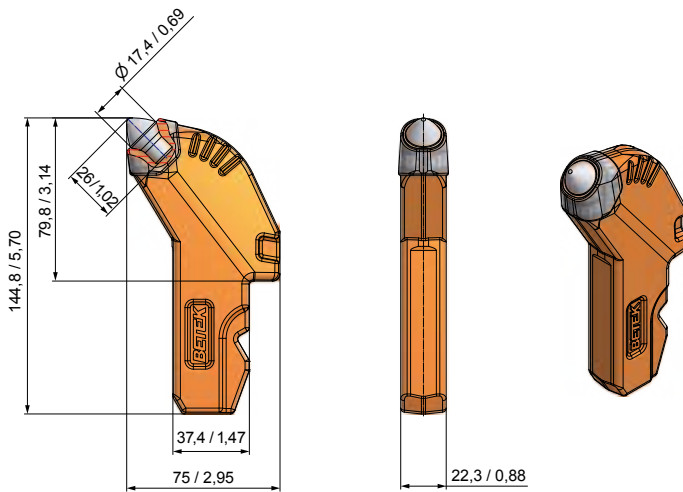
Radial pic



SI 188

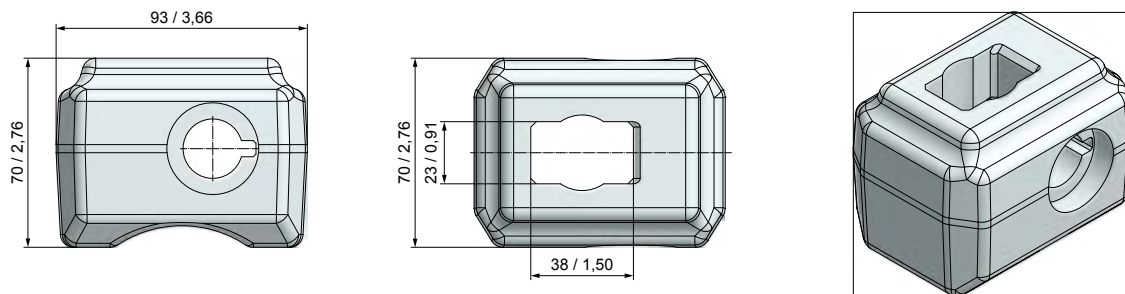
BF56
BF145x38x22/2

15



BF57
BF145x38x22/3P

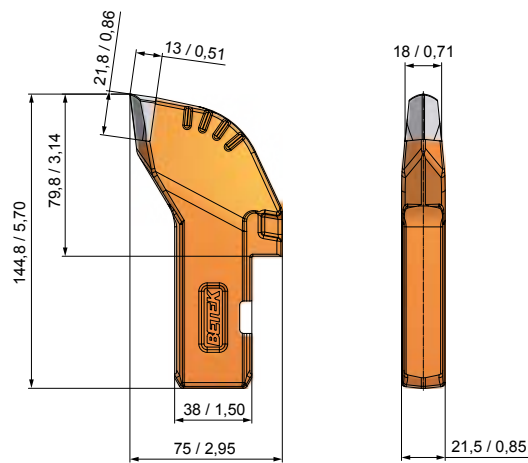
15



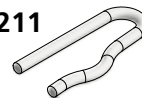
BHF19
BHF38x23

1

Radial pic

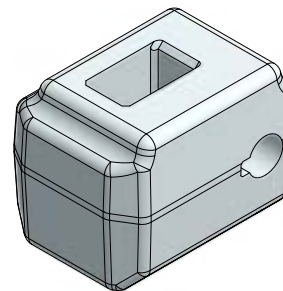
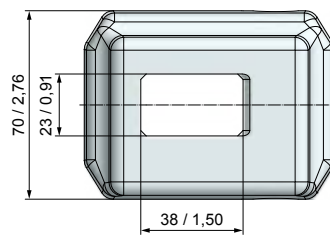
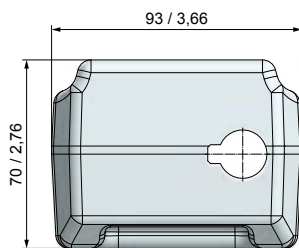


SI 211



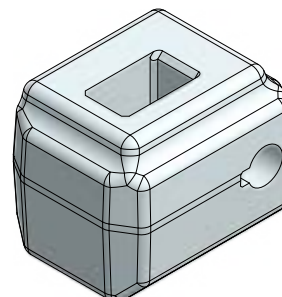
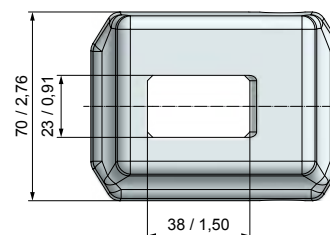
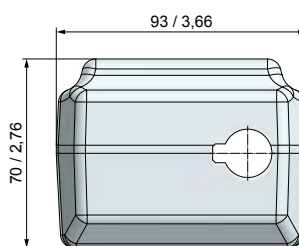
BFS58

BF145x38x22/4



BHF20

BHF38x23/L

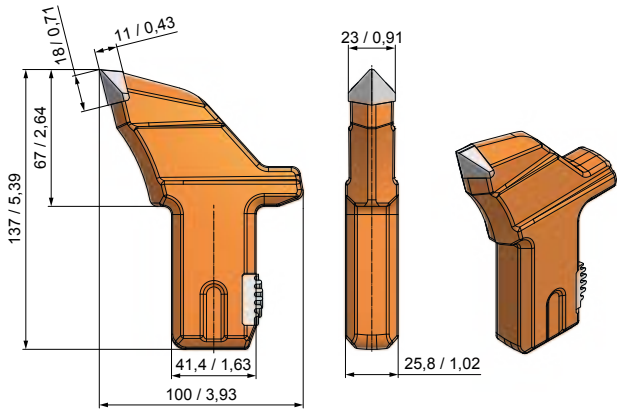


BHF21

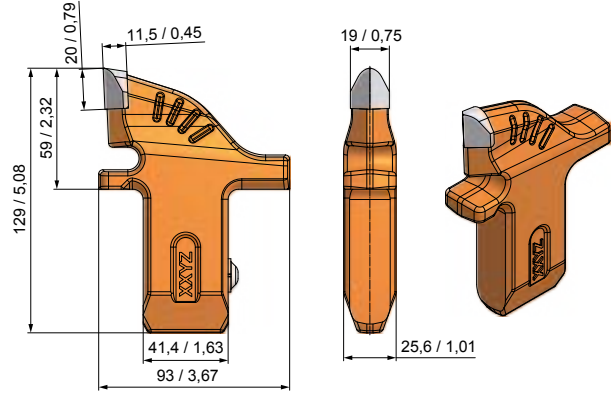
BHF38x23/R



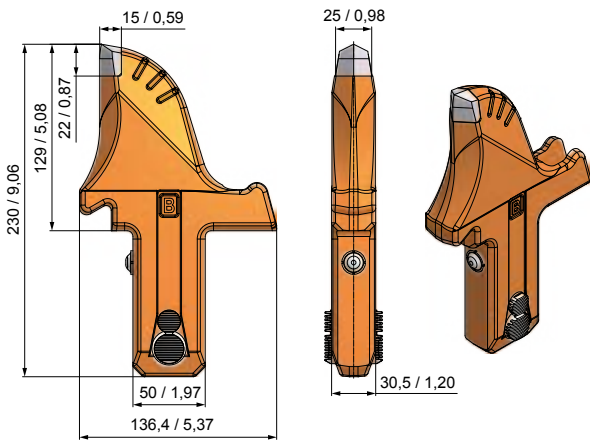
Radial pic



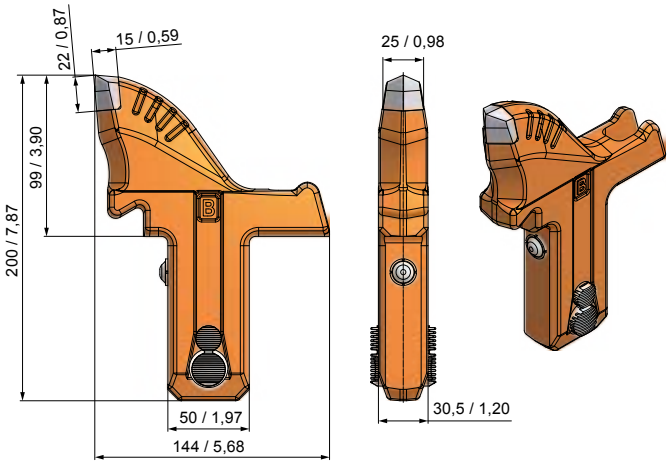
BF33
BF137x41.4x25.8



BF39
BF129x93x26



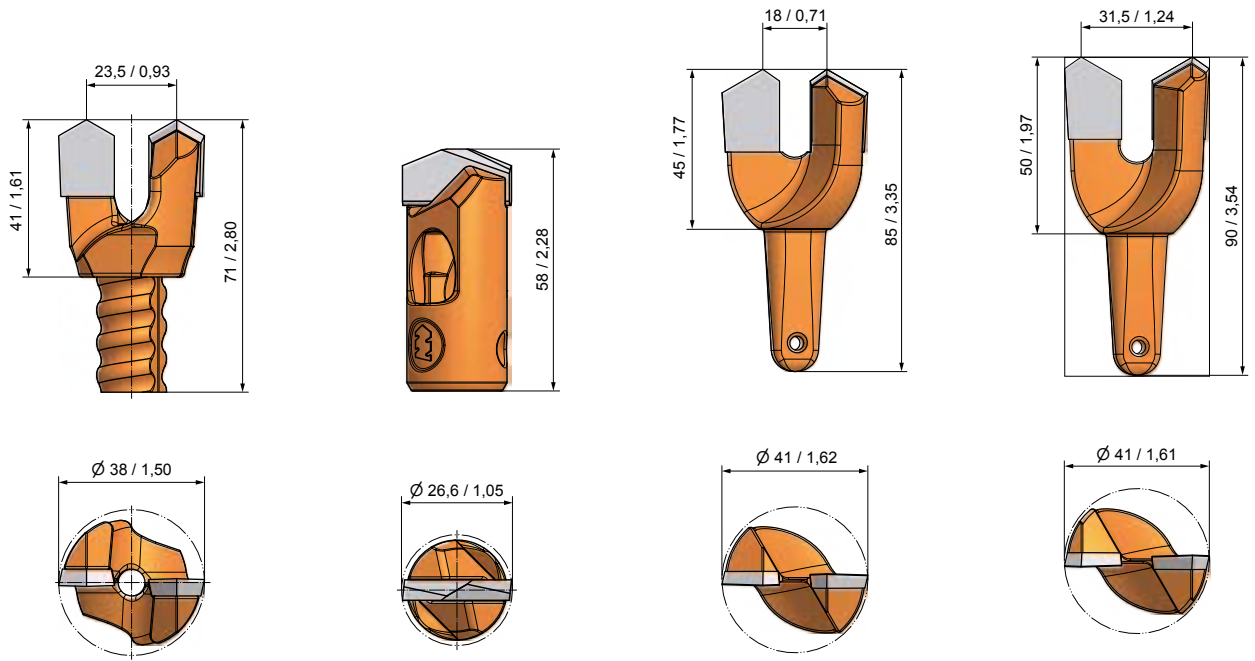
BF38
BF230x137x30.5



BF45
BF200x137x30.5



Wing bit



BD01
BD71-38



BD02
BD \varnothing 26x58/SW16



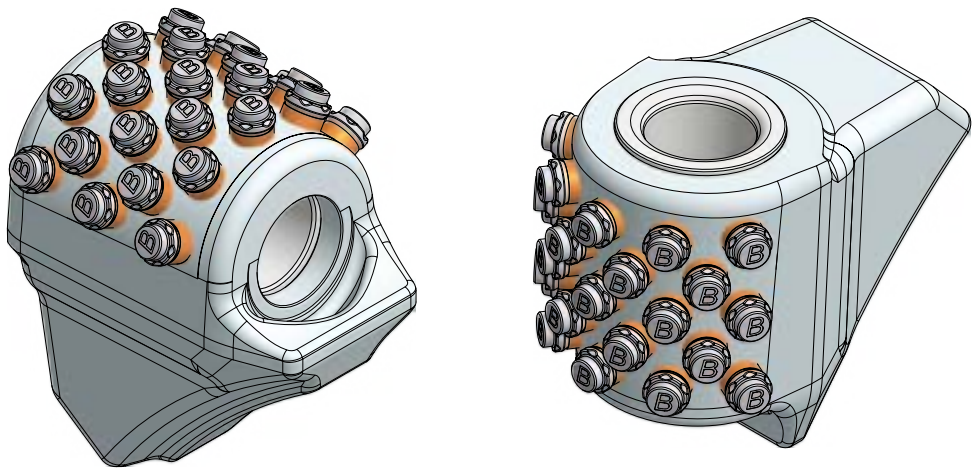
BD03
BD85-41



BD04
BD90-41



TungStuds



TungStuds



BETEK TungStuds with tungsten carbide core: Effective protection against wear for metal surfaces

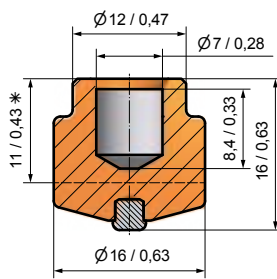
BETEK TungStuds are on the front line when material is produced or processed. The TungStuds which are equipped with a tungsten carbide core are the first to come into contact with the material to be conveyed and are subjected to extreme abrasion. In addition to the wear protection through the TungStuds, the bound material to be conveyed is used as a material cushion. This means the direct abrasion of the metal surface due to the movement of materials is reduced.

Instead of expensive spare parts which may be required due to worn-down metal surfaces, it is only necessary to replace the TungStuds. When using BETEK TungStuds also the maintenance outlay is reduced. Because of their tungsten carbide core they can resist to the most extreme conditions.



Further information: www.betek.de/en/productprogramme/tungstuds

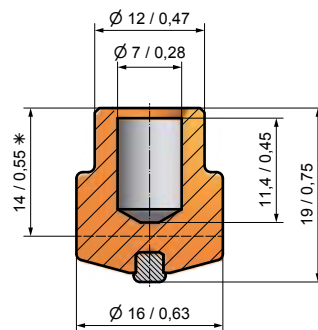
* Height subsequent to welding on



BTS01

BTSD16/16

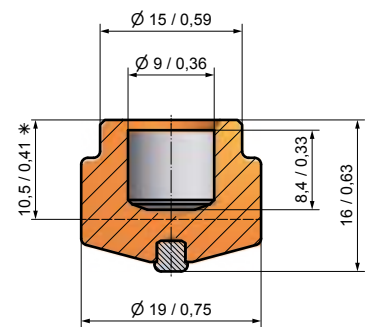
150



BTS02

BTSD16/19

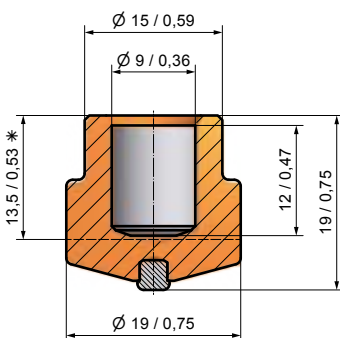
150



BTS03

BTSD19/16

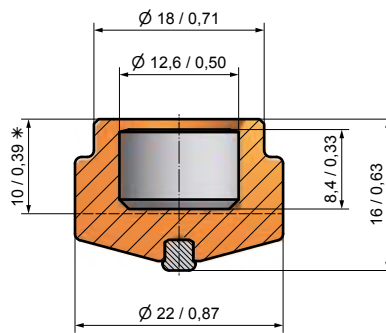
150



BTS04

BTSD19/19

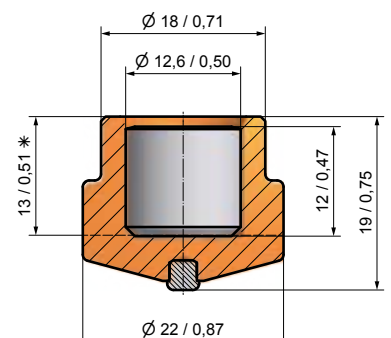
150



BTS05

BTSD22/16

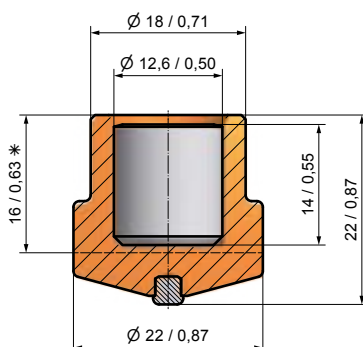
100



BTS06

BTSD22/19

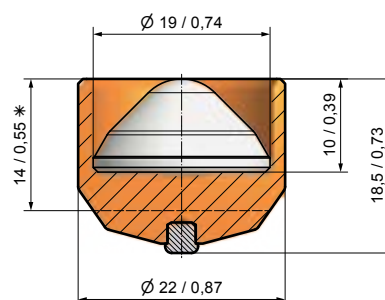
100



BTS07

BTSD22/22

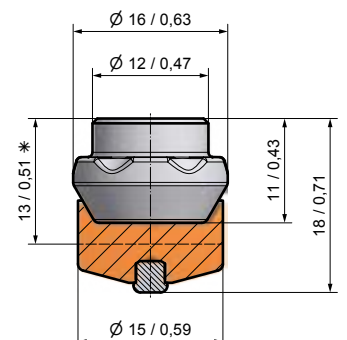
100



BTS08

BTSD22/18.5SG

100



BTS10B

BTSD16/18B

150



US

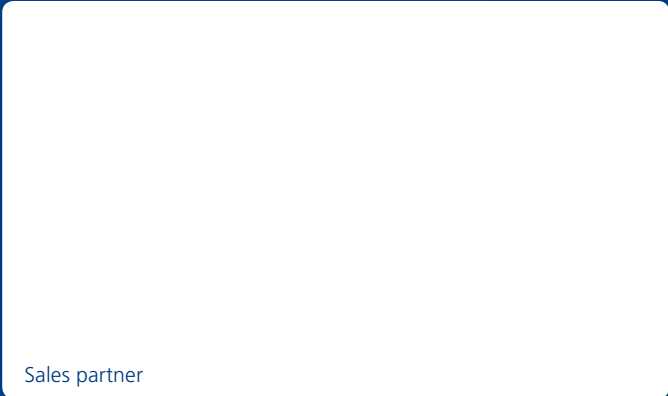
GB

BETEK GmbH & Co. KG

Sulgener Str. 21 - 23
D-78733 Aichhalden
Germany

Service hotline + 49 (0) 74 22 / 5 65-592
Service fax line + 49 (0) 74 22 / 5 65-122

mining@betek.de
www.betek.de



Sales partner

